



<https://www.raymarine.com/en-gb/about-raymarine/contact>

2024 PRODUCT GUIDE

JANUARY 2024 | UK£



Raymarine

CONTENTS

The information contained in this price list, to the best of our knowledge, was correct as it went to press. However, the Raymarine policy of continuous improvement and updating may change product information and pricing without prior notice. Therefore, differences in products and prices may occur from time to time, for which liability cannot be accepted by Raymarine. Prices shown in this document are net of sales taxes.



**LIGHTHOUSE
CHARTS**

2



**LIGHTHOUSE 4
OS**

4



**CHARTPLOTTER DISPLAY
COMPARISON CHART**

6



**CHARTPLOTTER
DISPLAYS**

8



**SONAR
MODULES**

28



**RADAR
ANTENNAS**

41



AUTOPILOTS

50



INSTRUMENTATION

58



**THERMAL
CAMERAS**

68



**MARINE VIDEO
CAMERAS**

72



**AUGMENTED
REALITY**

74



**SATELLITE TV
ANTENNAS**

76



**AUTOMATIC IDENTIFICATION
SYSTEMS (AIS)**

78



**VHF RADIO
COMMUNICATIONS**

80



**NEUBOAT 360, YACHTSENSE
AND DOCKSENSE**

84



**CABLES &
ACCESSORIES**

96

LIGHTHOUSE CHARTS

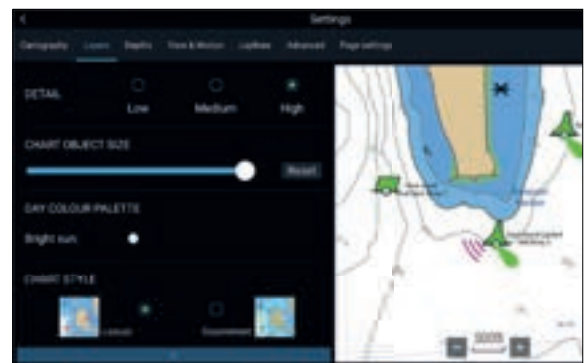


LightHouse Charts bring a new level of clarity to marine navigation. Created from official hydrographic chart sources, LightHouse Charts offer maximum readability, intuitive navigation, and superior quality. Four distinct colour palettes provide the best possible viewing conditions around the clock and chart symbol controls give you the power to customise the charts to your personal preference. Subscribe to LightHouse Charts Premium to access continuous chart updates, an expanded points of interest (POI) library, and enhanced satellite imagery for a powerful, sophisticated take on marine navigation.



PROFESSIONAL OR LEISURE CHART STYLE

Toggle between the information-rich professional S-52 government chart style (left) and the LightHouse leisure chart style (right) for your preferred view of key cartographic data.



ENHANCED CHART SYMBOL CONTROL

Change the size of channel markers, points of interest, and other icons for complete control over chart details.

LIGHTHOUSE CHARTS



NAVIGATE WITH A REAL-WORLD VIEW

Access Mapbox-powered high-resolution satellite imagery for a complete view of streets, shorelines, and shallows for informed decision making.



EXPANSIVE POINTS OF INTEREST LIBRARY

Quickly find local marinas, fuel stops, service stations, and more with an ever-expanding points of interest library from the best marine databases.



FLEXIBLE COLOUR MODES

Day, Dusk, Dark, and Bright Sun colour palettes help your vision keep up with changing light conditions for clear, strain-free chart viewing.



STAY UP TO DATE AND EXPLORE MORE

The Raymarine mobile app and a LightHouse Premium subscription allow you to update your charts and download premium content using your mobile phone.

LIGHTHOUSE 4



The easy-to-use operating system inside every Raymarine chartplotter display, LightHouse™ puts you in command with a fluid touchscreen or HybridTouch™ user experience. LightHouse lets you navigate with the best charts and makes navigating as simple as using a smartphone.



You Are In Command

LightHouse 4 is fast, fluid, and easy to learn. The uncluttered interface is easily personalised for your style of navigating. Get underway with smartphone-like touchscreen experience or take command with HybridTouch keypad and touchscreen control combined.

Simplified Networking

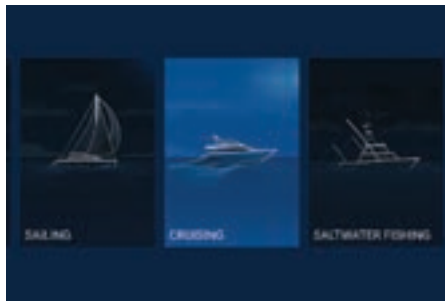
Axiom+, Axiom 2 Pro and Axiom 2 XL all run the LightHouse 4 operating system, allowing you to create navigation systems with any Axiom display combination. Connect up to 10 Axiom displays.

Expandable

Expand any LightHouse 4 OS based display with powerful sensors, including Quantum radar, CHIRP sonar modules, and FLIR thermal night vision cameras. SeaTalk^{NG} and NMEA 2000 connectivity enable engines displays, instruments, and Evolution autopilot integration. Standard Wi-Fi and Bluetooth allows connection to Raymarine apps, accessories and more.

LIGHTHOUSE 4

The LightHouse 4 operating system powers Axiom+, Axiom 2 Pro and Axiom 2 XL chartplotters displays. Previous generation Raymarine eS Series and gS Series can upgrade to LightHouse 3.11 for free. Some advanced LightHouse 4 features like ClearCruise AR, Performance Sailing Tools, and LightHouse Apps are exclusive to Axiom chartplotter displays. Visit raymarine.com/lighthouse to learn more and stay abreast of the latest LightHouse 4 feature updates.



Advanced Engine Integration

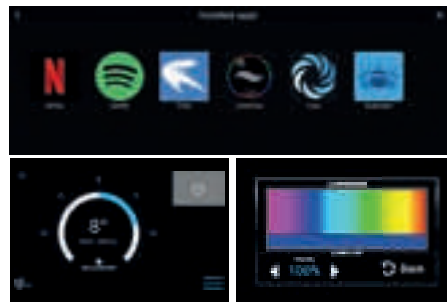
The LightHouse operating system is your gateway to engine integration. Create custom dashboards using NMEA2000 or enjoy advanced integration with Mercury VesselView and Yamaha Command Links outboard engines.

Personalisation

The LightHouse 4 home screen offers bold and simple app icons. Customise the home screen with your favourite apps. LightHouse 4 User Profiles saves yours and other crew member's personal home screens and configuration preferences.

Modern Vessel Automation

The LightHouse OS puts you in total command of the vessel's electrical systems with support for CZone, Empirbus, and Raymarine YachtSense digital control systems. Experience simple touch screen control of lighting, pumps, HVAC systems and more from anywhere onboard.



Performance Sailing Tools

Stay ahead of the competition with Lighthouse 4's performance sailing tools including Dynamic Layline overlays, which can be optimized with your vessel's polar performance targets. The LightHouse Dashboard app offers Race Data and Sailing specific graphical displays in a big, bold, and simple to understand format. A slide-out Race Start Sidebar gives you quick access to critical race stats.

LightHouse Apps

LightHouse Apps is Axiom's expanding library of marine and entertainment apps. Enjoy entertainment apps like Netflix and Spotify or network with onboard systems like Lumishore, Victron, and Seakeeper. LightHouse Apps also keep you connected and informed with support for Mazu satellite, Predict Wind, and Their weather.

LightHouse OS Updates

Visit raymarine.com to learn about the latest LightHouse 4 new features and upgrades.

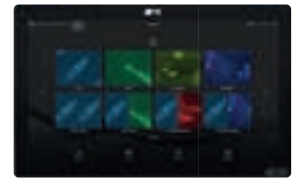
CHARTPLOTTER DISPLAYS



OPTIONS	ELEMENT
Display Sizes (inches)	7 / 9 / 12
Brightness	1500 nits
HydroTough nano coated display	
Touchscreen	
HybridTouch: Keypad and Touchscreen	
Data Card Port	MicroSD
Waterproofing Standard	IPX6/7
Built-In GPS Receiver	●
RealVision 3D	Element HV Only
CHIRP DownVision	Element HV Only
CHIRP SideVision	Element HV Only
High Frequency CHIRP	Element HV and Element S
600 Watt Sonar	
RealVision MAX and 1 kW CHIRP Sonar	
HyperVision	Element HV Only
OS	LightHouse Sport
RayNet Ethernet	
USB	
Wi-Fi and Bluetooth	Wi-Fi
NMEA0183	
NMEA2000	●
SeaTalkNG	Via Adaptor
Mounting	Bracket / Surface
Quantum and Cyclone Radar	Quantum Wi-Fi Only
Digital Switching	
FLIR thermal Camera Integration	
Evolution Autopilot Control	
IP Video Camera and ClearCruise Augmented Reality Option	
Support for external CHIRP Sonar Modules	
Marine Audio Integration	
Navionics Autorouting	●
Navionics Sonar Chart Live	●
Raymarine Realbathy™	●

CHARTPLOTTER DISPLAYS

The following table provides a quick comparison guide for the Raymarine range of chartplotters displays. For more information, contact the local Raymarine dealer or visit our website raymarine.com



AXIOM+	AXIOM 2 PRO	AXIOM 2 XL
7 / 9 / 12	9 / 12 / 16	16 / 19 / 22 / 24
1500 and 1800 nit*	1200 and 1300 nits*	1200, 1275 and 1300 nits*
●	●	●
●	●	●
	●	
MicroSD	MicroSD (x2)	SD Card Reader Required
IPX6/7	IPX6/7	IPX6/7
●	●	●
RV	RVM	Optional RealVision MAX and CHIRP Sonar Modules
RV	RVM	
RV	RVM	
RV	RVM	
RV	RVM	
	RVM	
LightHouse 4	LightHouse 4	LightHouse 4
●	●	●
●	●	●
●	●	●
Support for NMEA 0183 through an optional NMEA2000/SeaTalkNG Gateway		
●	●	●
●	●	●
Top, Flush, Front, Bracket	Top, Front, Bracket	Flush / Surface
●	●	●
●	●	●
●	●	●
●	●	●
●	●	●
●	●	●
●	●	●
●	●	●
●	●	●
●	●	●
●	●	●

* Brightness is model dependent

ELEMENT® S



SAILING



CRUISING

The Element S series of navigation displays gives you the freedom to enjoy the open waters—Select your destination and let Element’s fast and accurate 10Hz GPS/GNSS lead the way. Engineered for simplicity and affordable performance, Element S will quickly become your trusted cruising companion. A quad-core processor offers responsive performance and Element’s all-weather, sunlight viewable displays deliver chart and navigation data in beautiful colour. Element’s simple and straightforward LightHouse Sport operating system lets you navigate with confidence. Once underway, Element S will keep you on course with a smart list of user-friendly features, such as AIS target overlays, autopilot integration, and sailing instruments displays. Element S is also compatible with Quantum Wireless Radar.



Quantum CHIRP Radar

Element S helps to navigate congested waterways with increased awareness and confidence using an optional Raymarine Quantum wireless CHIRP radar* or an AIS receiver. Quantum brings award-winning solid-state radar capability and Element S’s AIS overlays intelligently identify approaching targets.



Simple and Straight Forward

Element’s LightHouse Sport OS is designed for boaters that like to keep things simple. The LightHouse Sport OS and Element’s ergonomic keypad are easy to customize, and an oversized waypoint key allows for quick marking of your favourite locations, plus three user-programmable quick keys provide access to your favourite pages with one button push.



Superior Performance

Enjoy legendary Raymarine performance at an affordable price with 7, 9, and 12 inch super-bright displays for all weather conditions. Element features a fast quad-core processor, for quick chart redraw and responsive performance coupled with a precision 10hz GPS/GNSS sensor. Element is backed by Raymarine’s three-year warranty (product registration required).

*Element is only compatible with Quantum Wi-Fi only radar models.

ELEMENT® S

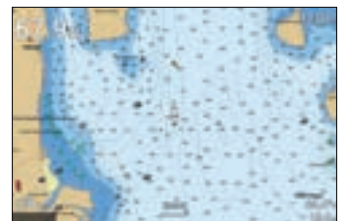
PART NO.	DESCRIPTION	RRP EX. VAT	RRP INC. VAT
Element - S			
ELEMENT 7 S			
E70531	Element 7 S - 7" Chart Plotter with Wi-Fi & GPS, No Chart & No Transducer	£370.83	£445.00
E70531-00-NEU	Element 7 S - 7" Chart Plotter with Wi-Fi & GPS, Northern European LightHouse Chart & No Transducer	£412.50	£495.00
E70531-00-WEU	Element 7 S - 7" Chart Plotter with Wi-Fi & GPS, Western European LightHouse Chart & No Transducer	£412.50	£495.00
E70531-00-MED	Element 7 S - 7" Chart Plotter with Wi-Fi & GPS, Mediterranean LightHouse Chart & No Transducer	£412.50	£495.00
ELEMENT 9 S			
E70533	Element 9 S - 9" Chart Plotter with Wi-Fi & GPS, No Chart & No Transducer	£537.50	£645.00
E70533-00-NEU	Element 9 S - 9" Chart Plotter with Wi-Fi & GPS, Northern European LightHouse Chart & No Transducer	£579.17	£695.00
E70533-00-WEU	Element 9 S - 9" Chart Plotter with Wi-Fi & GPS, Western European LightHouse Chart & No Transducer	£579.17	£695.00
E70533-00-MED	Element 9 S - 9" Chart Plotter with Wi-Fi & GPS, Mediterranean LightHouse Chart & No Transducer	£579.17	£695.00
ELEMENT 12 S			
E70535	Element 12 S - 12" Chart Plotter with Wi-Fi & GPS, No Chart & No Transducer	£954.17	£1,145.00
E70535-00-NEU	Element 12 S - 12" Chart Plotter with Wi-Fi & GPS, Northern European LightHouse Chart & No Transducer	£995.83	£1,195.00
E70535-00-WEU	Element 12 S - 12" Chart Plotter with Wi-Fi & GPS, Western European LightHouse Chart & No Transducer	£995.83	£1,195.00
E70535-00-MED	Element 12 S - 12" Chart Plotter with Wi-Fi & GPS, Mediterranean LightHouse Chart & No Transducer	£995.83	£1,195.00
ELEMENT S – TRANSDUCERS			
E70342	CPT-S Plastic Conical HIGH CHIRP Transom Mount Transducer, 10m	£58.33	£70.00
A80691	CPT-S Plastic Conical HIGH CHIRP In-Hull Transducer, 0/12/20° fitting options with 6m cable	£137.50	£165.00
E70339	CPT-S Plastic Conical HIGH CHIRP Through Hull 0° Angled Element Transducer, 10m	£145.83	£175.00
A80448	CPT-S Plastic Conical HIGH CHIRP Through Hull 12° Angled Element Transducer, 10m	£145.83	£175.00
A80447	CPT-S Plastic Conical HIGH CHIRP Through Hull 20° Angled Element Transducer, 10m	£145.83	£175.00
A80446	CPT-S Bronze Conical HIGH CHIRP Through Hull 0° Angled Element Transducer, 10m	£195.83	£235.00
E70340	CPT-S Bronze Conical HIGH CHIRP Through Hull 12° Angled Element Transducer, 10m	£195.83	£235.00
E70341	CPT-S Bronze Conical HIGH CHIRP Through Hull 20° Angled Element Transducer, 10m	£195.83	£235.00
A80363	CPT-S Trolling Motor Mounting Kit	£33.33	£40.00
ACCESSORIES			
A80553	Element 7" Surface Mount Kit	£41.67	£50.00
A80554	Element 9" Surface Mount Kit	£41.67	£50.00
A80555	Element 12" Surface Mount Kit	£41.67	£50.00
R70647	Element 7" Trunnion Kit	£58.33	£70.00
R70648	Element 9" Trunnion Kit	£58.33	£70.00
R70649	Element 12" Trunnion Kit	£58.33	£70.00
R70727	Element 7" Sun Cover	£41.67	£50.00
R70728	Element 9" Sun Cover	£41.67	£50.00
R70729	Element 12" Sun Cover	£41.67	£50.00
R70523	Element / AXIOM / AXIOM+ Power Cable 1.5m Straight with NMEA 2000 Connector	£41.67	£50.00
R70496	CPT-S Transom Bracket with Hardware	£29.17	£35.00
A80273	Transducer Extension for CPT-S, CPT100, CPT110 & CPT120 (4m cable)	£37.50	£45.00
CARTOGRAPHY			
R70794-IGB	LightHouse Chart (preloaded with UK & Ireland charts) on 32Gb micro SD card	£120.83	£145.00
R70794-NEU	LightHouse Chart (preloaded with Northern Europe charts) on 32 Gb micro SD card	£162.50	£195.00
R70794-WEU	LightHouse Chart (preloaded with Western Europe charts) on 32 Gb micro SD card	£162.50	£195.00
R70794-MED	LightHouse Chart (preloaded with Mediterranean region charts) on 32 Gb micro SD card	£162.50	£195.00
A80728	Navionics+ Blank µSD card for Regional Chart Download	£208.33	£250.00

ELEMENT® HV



FRESHWATER FISHING AND COASTAL FISHING

Built for anglers that want to be one step ahead of the game, Element delivers the sharpest view of the underwater world with HyperVision™ 1.2 megahertz super high-resolution sonar. HyperVision takes DownVision, SideVision, and Raymarine RealVision 3D sonar to the next level of precision imaging and fish identification, letting you see structures, vegetation, and fish with lifelike clarity.



Simple, Fast Operation

Element's LightHouse Sport operating system with intuitive keypad control lets you quickly mark fishing spots and access your favourite pages with the press of a button. Quad-core performance delivers instant chart redraw, smooth 3D imaging, and fast response while on the water.

All-in-One Transducer

The compact HV-100.02 transducer is simple to install and supports RealVision 3D, DownVision, SideVision, high-frequency CHIRP and 1.2 MHz HyperVision. A high precision water temperature sensor is standard, and the HV-100.02 is convertible for transom or trolling motor mounting. Through-hull versions are also available.

See More with Precision Sonar

Element's 1.2 megahertz HyperVision™ takes sonar to a new level of precision. DownVision, SideVision, or stunning RealVision 3D, Element's HyperVision™ mode lets you view structure and target fish with lifelike clarity, helping you to see and catch what other anglers can't.

All the Best Maps

Element's powerful chartplotter supports Raymarine LightHouse Charts, Navionics, C-MAP, Standard Mapping, CMOR Mapping, and many other publishers. Make custom bathymetric maps on the fly using Raymarine's new RealBathy™ or Navionics SonarChart Live.

ELEMENT® HV

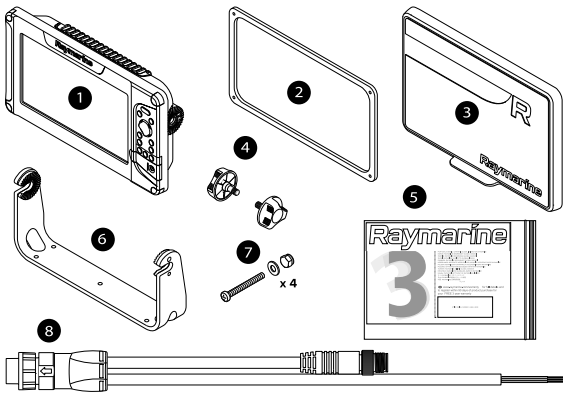
PART NO.	DESCRIPTION	RRP EX. VAT	RRP INC. VAT
Element - HV			
ELEMENT 7 HYPERVISION			
E70532	Element 7 HV- 7" Chart Plotter with CHIRP Sonar, HyperVision, Wi-Fi & GPS, No Chart & No Transducer	£454.17	£545.00
E70644-05	Element 7 HV - 7" Chart Plotter with CHIRP Sonar, HyperVision, Wi-Fi, GPS, HV-100+ transducer, No Chart	£537.50	£645.00
E70644-05-NEU	Element 7 HV - 7" Chart Plotter with CHIRP Sonar, HyperVision, Wi-Fi, GPS, HV-100+ transducer with Northern European LightHouse Chart	£579.17	£695.00
E70644-05-WEU	Element 7 HV - 7" Chart Plotter with CHIRP Sonar, HyperVision, Wi-Fi, GPS, HV-100+ transducer with Western European LightHouse Chart	£579.17	£695.00
E70644-05-MED	Element 7 HV - 7" Chart Plotter with CHIRP Sonar, HyperVision, Wi-Fi, GPS, HV-100+ transducer with Mediterranean LightHouse Chart	£579.17	£695.00
ELEMENT 9 HYPERVISION			
E70534	Element 9 HV - 9" Chart Plotter with CHIRP Sonar, HyperVision, Wi-Fi & GPS, No Chart & No Transducer	£620.83	£745.00
E70645-05	Element 9 HV - 9" Chart Plotter with CHIRP Sonar, HyperVision, Wi-Fi, GPS, HV-100+ transducer, No Chart	£704.17	£845.00
E70645-05-NEU	Element 9 HV - 9" Chart Plotter with CHIRP Sonar, HyperVision, Wi-Fi, GPS, HV-100+ transducer with Northern European LightHouse Chart	£745.83	£895.00
E70645-05-WEU	Element 9 HV - 9" Chart Plotter with CHIRP Sonar, HyperVision, Wi-Fi, GPS, HV-100+ transducer with Western European LightHouse Chart	£745.83	£895.00
E70645-05-MED	Element 9 HV - 9" Chart Plotter with CHIRP Sonar, HyperVision, Wi-Fi, GPS, HV-100+ transducer with Mediterranean LightHouse Chart	£745.83	£895.00
ELEMENT 12 HYPERVISION			
E70536	Element 12 HV - 12" Chart Plotter with CHIRP Sonar, HyperVision, Wi-Fi & GPS, No Chart & No Transducer	£1,037.50	£1,245.00
E70646-05	Element 12 HV - 12" Chart Plotter with CHIRP Sonar, HyperVision, Wi-Fi, GPS, HV-100+ transducer, No Chart	£1,120.83	£1,345.00
E70646-05-NEU	Element 12 HV - 12" Chart Plotter with CHIRP Sonar, HyperVision, Wi-Fi, GPS, HV-100+ transducer with Northern European LightHouse Chart	£1,162.50	£1,395.00
E70646-05-WEU	Element 12 HV - 12" Chart Plotter with CHIRP Sonar, HyperVision, Wi-Fi, GPS, HV-100+ transducer with Western European LightHouse Chart	£1,162.50	£1,395.00
E70646-05-MED	Element 12 HV - 12" Chart Plotter with CHIRP Sonar, HyperVision, Wi-Fi, GPS, HV-100+ transducer with Mediterranean LightHouse Chart	£1,162.50	£1,395.00
ELEMENT – HYPERVISION TRANSDUCERS			
E70643	HV-100+ HyperVision Plastic Transom Transducer with 6m cable	£245.83	£295.00
A80604	HV-300 HyperVision Plastic Through Hull Transducer, 6m cable with fairing block to be cut from 0-25°	£295.83	£355.00
T70448	Pair of HV-300 HyperVision Plastic Through Hull Transducers with fairing block to be cut from 0-25° including Y-Cable and 4m-extension cable	£554.17	£665.00
R70725	HV-300 HyperVision Plastic Through Hull PORT Transducer with fairing block to be cut from 0-25°	£287.50	£345.00
R70726	HV-300 HyperVision Plastic Through Hull STARBOARD Transducer with fairing block to be cut from 0-25°	£287.50	£345.00
A80605	HyperVision TH Split Ducer Y-Cable 0.5M HV-300 HyperVision Split Transducer Y-Cable (0.5m)	£100.00	£120.00
R70651	HV-100 Transom Transducer Bracket	£41.67	£50.00
A80562	HyperVision Transducer Extension Cable 4M	£75.00	£90.00
A80606	Adapter for MotorGuide Transducer	£54.17	£65.00
A80557	HV-100 Trolling Motor Mount	£50.00	£60.00
A80558	Adapter Cable for Dragonfly Green Connector (10-pin) to Element HV (15-pin)	£66.67	£80.00
A80559	Adapter Cable for CPT-S/DVS (9-pin) to Element HV (15-pin)	£75.00	£90.00
A80560	Adapter Cable for MinnKota Transducer to Element HV (15-pin)	£50.00	£60.00
R70741	HV-300 Fairing Block	£41.67	£50.00
ACCESSORIES			
A80553	Element 7" Surface Mount Kit	£41.67	£50.00
A80554	Element 9" Surface Mount Kit	£41.67	£50.00
A80555	Element 12" Surface Mount Kit	£41.67	£50.00
R70647	Element 7" Trunnion Kit	£58.33	£70.00
R70648	Element 9" Trunnion Kit	£58.33	£70.00
R70649	Element 12" Trunnion Kit	£58.33	£70.00
R70727	Element 7" Sun Cover	£41.67	£50.00
R70728	Element 9" Sun Cover	£41.67	£50.00
R70729	Element 12" Sun Cover	£41.67	£50.00
R70523	Element / AXIOM / AXIOM+ Power Cable 1.5m Straight with NMEA 2000 Connector	£41.67	£50.00
CARTOGRAPHY			
R70794-IGB	LightHouse Chart (preloaded with UK & Ireland charts) on 32Gb micro SD card	£120.83	£145.00
R70794-NEU	LightHouse Chart (preloaded with Northern Europe charts) on 32 Gb micro SD card	£162.50	£195.00
R70794-WEU	LightHouse Chart (preloaded with Western Europe charts) on 32 Gb micro SD card	£162.50	£195.00
R70794-MED	LightHouse Chart (preloaded with Mediterranean region charts) on 32 Gb micro SD card	£162.50	£195.00
A80728	Navionics+ Blank µSD card for Regional Chart Download	£208.33	£250.00

ELEMENT®

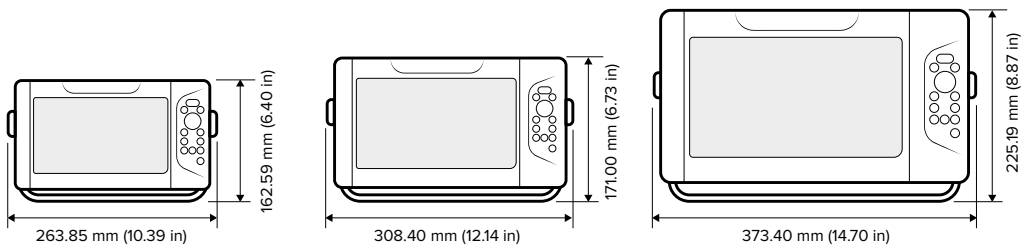
PART NO.	DESCRIPTION	RRP EX. VAT	RRP INC. VAT
ICE FISHING ACCESSORIES			
A80581	Raymarine Element Ice Fishing Kit (Bag, Battery, Charger, Mount, Transducer & Float)	£195.83	£235.00
A80583	CPT-S Plastic Conical HIGH CHIRP Ice Transducer for Element HV with 2.5m cable	£91.67	£110.00
R70724	Element Ice Fishing Power Cable 300mm	£41.67	£50.00



ELEMENT 7 / 9 / 12 : IN THE BOX



1. Element display
2. Surface mount gasket
3. Suncover
4. Trunnion knobs x2
5. Documentation pack
6. Trunnion bracket
7. Surface mount stainless steel fixings x4 (M4x40 machine screw, M4 flat washer, M4 locking nut)
8. Power / NMEA2000 cable (includes 1.5m (4.92ft) power lead and 0.5m (1.64ft) NMEA2000 lead).



AXIOM®



SAILING

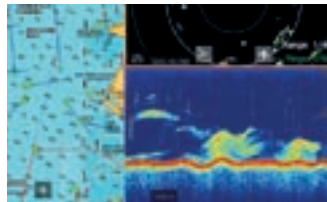


CRUISING



FISHING

Axiom is expandable, so its capabilities can grow, as needed. It supports the full range of Raymarine sensors accessories, including Quantum radar, CHIRP Sonar, FLIR thermal cameras, audio integration, instruments, cameras, and Evolution autopilot. Standard Wi-Fi and Bluetooth connectivity allows connection to the latest Raymarine apps for tablets and smartphones.



Award Winning Performance

Axiom's intuitive LightHouse 3 operating system, quad-core performance, and innovative technologies like ClearCruise Augmented Reality, Quantum Doppler radar, and RealVision 3D have earned Axiom multiple prestigious industry innovation awards.

Expandable

Connect Axiom with radar, FLIR thermal, instruments, Evolution autopilots, and much more. Wi-Fi and Bluetooth connect you to LightHouse Apps and entertainment. Axiom networks seamlessly with Axiom Pro and Axiom XL displays so you can build a custom navigation system that fits your needs.

Sonar Built-In

See the underwater world in an entirely new way with Axiom's available CHIRP DownVision, SideVision, and RealVision® 3D sonar. Axiom also supports high-frequency CHIRP and 600-watt, dual-frequency digital sonar. Alternatively, Axiom displays are available in GPS chartplotter only versions.

Rugged All Glass Display

Axiom is available in 7, 9 or 12-inch sizes to fit any vessel. Axiom's rugged all-glass display is optimised for flush or surfacing mounting and looks great on any helm. Raymarine's super-bright LED display technology with optical bonding delivers superior visibility day or night.

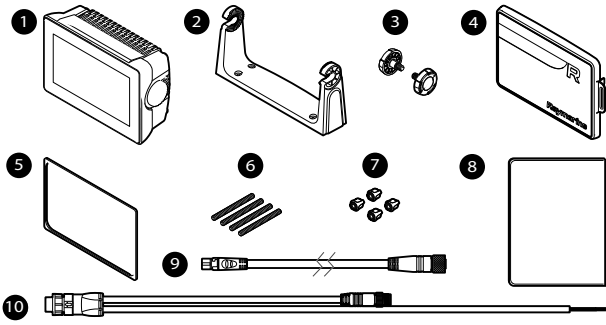
AXIOM®

PART NO.	DESCRIPTION	RRP EX. VAT	RRP INC. VAT
AXIOM Chartplotter Only			
AXIOM 7 CHARTPLOTTER			
E70363-00	AXIOM 7, Multi-function 7" Display	£620.83	£745.00
E70363-00-NEU	AXIOM 7, Multi-function 7" Display with Northern European LightHouse Chart	£662.50	£795.00
E70363-00-WEU	AXIOM 7, Multi-function 7" Display with Western European LightHouse Chart	£662.50	£795.00
E70363-00-MED	AXIOM 7, Multi-function 7" Display with Mediterranean LightHouse Chart	£662.50	£795.00
AXIOM 9 CHARTPLOTTER			
E70366-00	AXIOM 9, Multi-function 9" Display	£1,037.50	£1,245.00
E70366-00-NEU	AXIOM 9, Multi-function 9" Display and Northern European LightHouse Chart	£1,079.17	£1,295.00
E70366-00-WEU	AXIOM 9, Multi-function 9" Display and Western European LightHouse Chart	£1,079.17	£1,295.00
E70366-00-MED	AXIOM 9, Multi-function 9" Display and Mediterranean LightHouse Chart	£1,079.17	£1,295.00
AXIOM 12 CHARTPLOTTER			
E70368-00	AXIOM 12, Multi-function 12" Display	£2,120.83	£2,545.00
E70368-00-NEU	AXIOM 12, Multi-function 12" Display with Northern European LightHouse Chart	£2,162.50	£2,595.00
E70368-00-WEU	AXIOM 12, Multi-function 12" Display with Western European LightHouse Chart	£2,162.50	£2,595.00
E70368-00-MED	AXIOM 12, Multi-function 12" Display with Mediterranean LightHouse Chart	£2,162.50	£2,595.00
AXIOM DV Chartplotter with DownVision			
AXIOM 7 DOWNVISION			
E70364-00	AXIOM 7 DV, Multi-function 7" Display with integrated 600W Sonar and DownVision	£662.50	£795.00
E70364-01	AXIOM 7 DV, Multi-function 7" Display with integrated DownVision, 600W Sonar including CPT-S transducer	£704.17	£845.00
E70364-02	AXIOM 7 DV, Multi-function 7" Display with integrated DownVision, 600W Sonar including CPT-100DVS transducer	£745.83	£895.00
E70364-02-NEU	AXIOM 7 DV, Multi-function 7" Display with integrated DownVision, 600W Sonar including CPT-100DVS transducer and Northern European LightHouse Chart	£787.50	£945.00
E70364-02-WEU	AXIOM 7 DV, Multi-function 7" Display with integrated DownVision, 600W Sonar including CPT-100DVS transducer and Western European LightHouse Chart	£787.50	£945.00
E70364-02-MED	AXIOM 7 DV, Multi-function 7" Display with integrated DownVision, 600W Sonar including CPT-100DVS transducer and Mediterranean LightHouse Chart	£787.50	£945.00
AXIOM RV Chartplotter with RealVision 3D			
AXIOM 9 REALVISION 3D			
E70367-00	AXIOM 9 RV, Multi-function 9" Display with integrated RealVision 3D, 600W Sonar, no transducer	£1,204.17	£1,445.00
E70367-03	AXIOM 9 RV, Multi-function 9" Display with integrated RealVision 3D, 600W Sonar with RV-100 transducer	£1,454.17	£1,745.00
E70367-03-NEU	AXIOM 9 RV, Multi-function 9" Display with integrated RealVision 3D, 600W Sonar with RV-100 transducer and Northern European LightHouse Chart	£1,495.83	£1,795.00
E70367-03-WEU	AXIOM 9 RV, Multi-function 9" Display with integrated RealVision 3D, 600W Sonar with RV-100 transducer and Western European LightHouse Chart	£1,495.83	£1,795.00
E70367-03-MED	AXIOM 9 RV, Multi-function 9" Display with integrated RealVision 3D, 600W Sonar with RV-100 transducer and Mediterranean LightHouse Chart	£1,495.83	£1,795.00
AXIOM 12 REALVISION 3D			
E70369-00	AXIOM 12 RV, Multi-function 12" Display with integrated RealVision 3D, 600W Sonar, no transducer	£2,287.50	£2,745.00
E70369-03	AXIOM 12 RV, Multi-function 12" Display with integrated RealVision 3D, 600W Sonar with RV-100 transducer	£2,537.50	£3,045.00
E70369-03-NEU	AXIOM 12 RV, Multi-function 12" Display with integrated RealVision 3D, 600W Sonar with RV-100 transducer and Northern European LightHouse Chart	£2,579.17	£3,095.00
E70369-03-WEU	AXIOM 12 RV, Multi-function 12" Display with integrated RealVision 3D, 600W Sonar with RV-100 transducer and Western European LightHouse Chart	£2,579.17	£3,095.00
E70369-03-MED	AXIOM 12 RV, Multi-function 12" Display with integrated RealVision 3D, 600W Sonar with RV-100 transducer and Mediterranean LightHouse Chart	£2,579.17	£3,095.00

AXIOM®



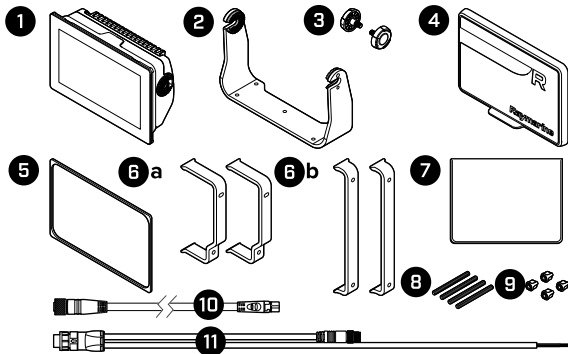
AXIOM 7: IN THE BOX



1. MFD (supplied with Trunnion adaptor fitted)
2. Trunnion bracket
3. Trunnion knobs x2
4. Suncover — Trunnion mount
5. Panel mount gasket for surface/flush mounting
6. M5x58 Threaded studs x4
7. M5 Thumb nuts x4
8. Documentation pack
9. DeviceNet to SeaTalkNG® adaptor cable 120 mm (4.7 in)
10. Power/NMEA 2000 cable (with 1.5 m (4.92 ft) power lead and 0.5 m (1.64 ft) NMEA 2000 lead).



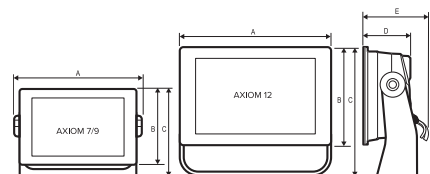
AXIOM 9 / 12: IN THE BOX



1. MFD
2. Trunnion bracket
3. Trunnion knobs x 2
4. Suncover
5. Panel mount gasket for surface/flush mounting
6. Rear mounting brackets: (a) supplied with 9" MFD (b) supplied with 12" MFD
7. Documentation pack
8. M5x58 Threaded studs x 4
9. M5 Thumb nuts x 4
10. DeviceNet to SeaTalkng® adaptor cable 120 mm (4.7 in)
11. Power/NMEA 2000 cable (with 1.5 m (4.92 ft) power lead and 0.5 m (1.64 ft) NMEA 2000 lead)

← (mm / in.) →

	AXIOM 7		AXIOM 9		AXIOM 12	
	mm	in	mm	in	mm	in
A	250.4	9.86	265.03	10.43	314	12.36
B	133	5.24	157.78	6.21	217	8.54
C	162.5	6.4	187.8	7.39	226.8	8.93
D	76.4	3.0	76.71	3.02	76.20	3.0
E	218	8.59	170	6.69	180	7.08



AXIOM®+



SAILING



CRUISING



FISHING

The performance-tuned Axiom+ is a new generation of award-winning Raymarine chartplotter displays. Optimised for speed, Axiom+ is equipped with a powerful quad-core processor for industry-leading responsiveness and speed, giving you the power to seamlessly redraw charts, navigate with augmented reality, and experience RealVision 3D sonar.



Fast and Fluid

Fluid and fast chart redraw of new Raymarine LightHouse Charts, plus Navionics and C-MAP.



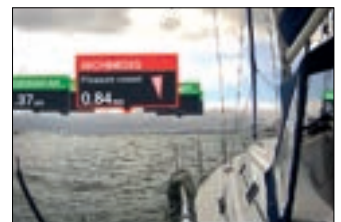
LightHouse 4 OS

Smart and intuitive LightHouse 4 OS makes navigating easy.



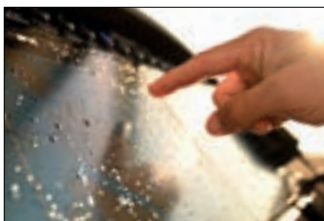
Quad-Core Power

Powerful quad-core processor, plus increased onboard storage for personal data and apps.



Augmented Reality

ClearCruise™ Augmented Reality-capable for smarter navigation decisions.



HydroTough™ Display

Nano-coated, impact-resistant glass screen repels water, oil, and smudges for better viewing and accurate touch controls.



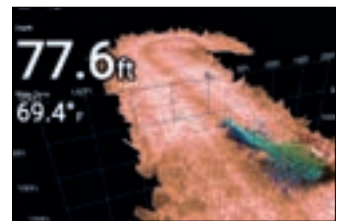
Brighter

Axiom+ 7, 9 and 12 inch all-weather displays are 25 percent brighter (up to 1,800 nits) than original Axiom models.



Sharper

IPS display technology delivers wider viewing angles and sharp contrast at twice the resolution of traditional displays.



3D Sonar Built-in

Available with built-in RealVision 3D sonar for the most comprehensive view of the underwater world.

AXIOM®+

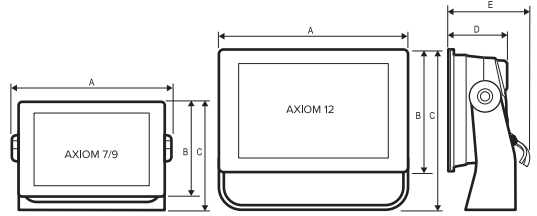
PART NO.	DESCRIPTION	RRP EX. VAT	RRP INC. VAT
AXIOM+ Chartplotter Only			
AXIOM+ 7 CHARTPLOTTER			
E70634	AXIOM+ 7, Multi-function 7" Display	£745.83	£895.00
E70634-00-NEU	AXIOM+ 7, Multi-function 7" Display with Northern European LightHouse Chart	£787.50	£945.00
E70634-00-WEU	AXIOM+ 7, Multi-function 7" Display with Western European LightHouse Chart	£787.50	£945.00
E70634-00-MED	AXIOM+ 7, Multi-function 7" Display with Mediterranean LightHouse Chart	£787.50	£945.00
AXIOM+ 9 CHARTPLOTTER			
E70636	AXIOM+ 9, Multi-function 9" Display	£1,204.17	£1,445.00
E70636-00-NEU	AXIOM+ 9, Multi-function 9" Display with Northern European LightHouse Chart	£1,245.83	£1,495.00
E70636-00-WEU	AXIOM+ 9, Multi-function 9" Display with Western European LightHouse Chart	£1,245.83	£1,495.00
E70636-00-MED	AXIOM+ 9, Multi-function 9" Display with Mediterranean LightHouse Chart	£1,245.83	£1,495.00
AXIOM+ 12 CHARTPLOTTER			
E70638	AXIOM+ 12, Multi-function 12" Display	£2,454.17	£2,945.00
E70638-00-NEU	AXIOM+ 12, Multi-function 12" Display with Northern European LightHouse Chart	£2,495.83	£2,995.00
E70638-00-WEU	AXIOM+ 12, Multi-function 12" Display with Western European LightHouse Chart	£2,495.83	£2,995.00
E70638-00-MED	AXIOM+ 12, Multi-function 12" Display with Mediterranean LightHouse Chart	£2,495.83	£2,995.00
AXIOM+ RV Chartplotter with RealVision 3D			
AXIOM+ 7 REALVISION 3D			
E70635	AXIOM+ 7 RV, Multi-function 7" Display with integrated RealVision 3D, 600W Sonar, no transducer	£912.50	£1,095.00
E70635-00-NEU	AXIOM+ 7 RV, Multi-function 7" Display with integrated RealVision 3D, 600W Sonar, no transducer with Northern European LightHouse Chart	£954.17	£1,145.00
E70635-00-WEU	AXIOM+ 7 RV, Multi-function 7" Display with integrated RealVision 3D, 600W Sonar, no transducer with Western European LightHouse Chart	£954.17	£1,145.00
E70635-00-MED	AXIOM+ 7 RV, Multi-function 7" Display with integrated RealVision 3D, 600W Sonar, no transducer with Mediterranean LightHouse Chart	£954.17	£1,145.00
E70635-03	AXIOM+ 7 RV, Multi-function 7" Display with integrated RealVision 3D,600W Sonar with RV-100 transducer	£1,162.50	£1,395.00
E70635-03-NEU	AXIOM+ 7 RV, Multi-function 7" Display with integrated RealVision 3D,600W Sonar with RV-100 transducer with Northern European LightHouse Chart	£1,204.17	£1,445.00
E70635-03-WEU	AXIOM+ 7 RV, Multi-function 7" Display with integrated RealVision 3D,600W Sonar with RV-100 transducer with Western European LightHouse Chart	£1,204.17	£1,445.00
E70635-03-MED	AXIOM+ 7 RV, Multi-function 7" Display with integrated RealVision 3D,600W Sonar with RV-100 transducer with Mediterranean LightHouse Chart	£1,204.17	£1,445.00
AXIOM+ 9 REALVISION 3D			
E70637	AXIOM+ 9 RV, Multi-function 9" Display with integrated RealVision 3D, 600W Sonar, no transducer	£1,370.84	£1,645.00
E70637-00-NEU	AXIOM+ 9 RV, Multi-function 9" Display with integrated RealVision 3D, 600W Sonar, no transducer with Northern European LightHouse Chart	£1,412.50	£1,695.00
E70637-00-WEU	AXIOM+ 9 RV, Multi-function 9" Display with integrated RealVision 3D, 600W Sonar, no transducer with Western European LightHouse Chart	£1,412.50	£1,695.00
E70637-00-MED	AXIOM+ 9 RV, Multi-function 9" Display with integrated RealVision 3D, 600W Sonar, no transducer with Mediterranean LightHouse Chart	£1,412.50	£1,695.00
E70637-03	AXIOM+ 9 RV, Multi-function 9" Display with integrated RealVision 3D,600W Sonar with RV-100 transducer	£1,620.84	£1,945.00
E70637-03-NEU	AXIOM+ 9 RV, Multi-function 9" Display with integrated RealVision 3D,600W Sonar with RV-100 transducer with Northern European LightHouse Chart	£1,662.50	£1,995.00
E70637-03-WEU	AXIOM+ 9 RV, Multi-function 9" Display with integrated RealVision 3D,600W Sonar with RV-100 transducer with Western European LightHouse Chart	£1,662.50	£1,995.00
E70637-03-MED	AXIOM+ 9 RV, Multi-function 9" Display with integrated RealVision 3D,600W Sonar with RV-100 transducer with Mediterranean LightHouse Chart	£1,662.50	£1,995.00
AXIOM+ 12 REALVISION 3D			
E70639	AXIOM+ 12 RV, Multi-function 12" Display with integrated RealVision 3D, 600W Sonar, no transducer	£2,620.83	£3,145.00
E70639-00-NEU	AXIOM+ 12 RV, Multi-function 12" Display with integrated RealVision 3D, 600W Sonar, no transducer with Northern European LightHouse Chart	£2,662.50	£3,195.00
E70639-00-WEU	AXIOM+ 12 RV, Multi-function 12" Display with integrated RealVision 3D, 600W Sonar, no transducer with Western European LightHouse Chart	£2,662.50	£3,195.00
E70639-00-MED	AXIOM+ 12 RV, Multi-function 12" Display with integrated RealVision 3D, 600W Sonar, no transducer with Mediterranean LightHouse Chart	£2,662.50	£3,195.00
E70639-03	AXIOM+ 12 RV, Multi-function 12" Display with integrated RealVision 3D,600W Sonar with RV-100 transducer	£2,787.50	£3,345.00
E70639-03-NEU	AXIOM+ 12 RV, Multi-function 12" Display with integrated RealVision 3D,600W Sonar with RV-100 transducer with Northern European LightHouse Chart	£2,829.17	£3,395.00
E70639-03-WEU	AXIOM+ 12 RV, Multi-function 12" Display with integrated RealVision 3D,600W Sonar with RV-100 transducer with Western European LightHouse Chart	£2,829.17	£3,395.00
E70639-03-MED	AXIOM+ 12 RV, Multi-function 12" Display with integrated RealVision 3D,600W Sonar with RV-100 transducer with Mediterranean LightHouse Chart	£2,829.17	£3,395.00

AXIOM®+

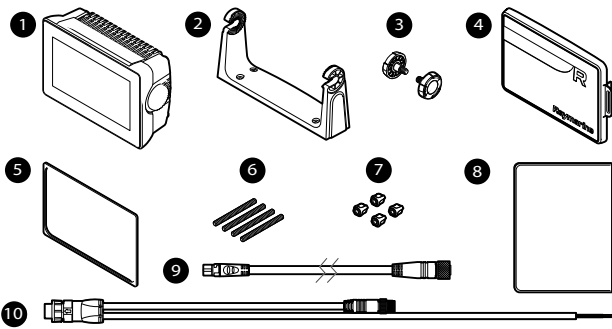
PART NO.	DESCRIPTION	RRP EX. VAT	RRP INC. VAT
AXIOM & AXIOM + Accessories			
CARTOGRAPHY			
R70794-IGB	LightHouse Chart (preloaded with UK & Ireland charts) on 32Gb micro SD card	£120.83	£145.00
R70794-NEU	LightHouse Chart (preloaded with Northern Europe charts) on 32 Gb micro SD card	£162.50	£195.00
R70794-WEU	LightHouse Chart (preloaded with Western Europe charts) on 32 Gb micro SD card	£162.50	£195.00
R70794-MED	LightHouse Chart (preloaded with Mediterranean region charts) on 32 Gb micro SD card	£162.50	£195.00
A80728	Navionics+ Blank µSD card for Regional Chart Download	£208.33	£250.00
ACCESSORIES			
T70293	System Remote Control Keypad (RMK-10) Portrait & Landscape	£345.83	£415.00
A80585	Bulkhead Mount micro SD Card Reader with 1m Cable	£95.83	£115.00
A80440	Bulkhead Mount SD Card Reader and USB Socket with 1m Cable	£158.33	£190.00
A80630	Bulkhead Mount Micro USB Socket with 1m cable for DJI Drones only	£158.33	£190.00
E70310	Raystar 150 10Hz GPS/Glonass antenna (STng)	£237.50	£285.00
A80370	Pole Mount for RS150 GPS Antenna / Micro-Talk Puck	£29.17	£35.00
T70327	Raystar 150 10Hz GPS/Glonass antenna (STng) with Pole Mount	£250.00	£300.00
A80437	RS150/MicroTalk Puck Clamshell Riser Mounting Kit	£33.33	£40.00
A80007	HS-5 Network Switch (Raynet)	£270.83	£325.00
A80731	RNS5 Gigabit Raynet Network Switch	£329.17	£395.00
A80732	RNS8 Gigabit Raynet Network Switch with 4 x POE ports	£829.17	£995.00
R70615	Spare RealVision 25-pin Locking Collar Kit	£12.50	£15.00
SUNCOVERS			
R70525	AXIOM 7 / AXIOM + 7 Suncover when Trunnion Mounted	£37.50	£45.00
A80499	AXIOM 7 / AXIOM + 7 Suncover when using Front Mounting Kit	£37.50	£45.00
R70527	AXIOM 7 / AXIOM+ 7 Suncover when Rear Mounted (Surface)	£37.50	£45.00
A80501	AXIOM 9 / AXIOM+ 9 Suncover when using Front Mounting Kit	£41.67	£50.00
R70530	AXIOM 9 / AXIOM+ 9 Suncover when Trunnion or Surface Mounted	£41.67	£50.00
A80503	AXIOM 12 / AXIOM+ 12 Suncover when using Front Mounting Kit	£58.33	£70.00
R70533	AXIOM 12 / AXIOM+ 12 Suncover when Trunnion or Surface Mounted	£41.67	£50.00
TRUNNION MOUNTING KITS			
R70524	Metal Trunnion Mounting Kit for AXIOM 7 / AXIOM+ 7	£79.17	£95.00
R70529	Metal Trunnion Mounting Kit for AXIOM 9 / AXIOM+ 9	£79.17	£95.00
R70532	Metal Trunnion Mounting Kit for AXIOM 12 / AXIOM+ 12	£79.17	£95.00
AXIOM FRONT MOUNT ACCESSORIES			
A80498	Front Mounting Kit for AXIOM 7 / AXIOM+ 7 (including Sun Cover)	£58.33	£70.00
A80500	Front Mounting Kit for AXIOM 9 / AXIOM+ 9 (including Sun Cover)	£66.67	£80.00
A80502	Front Mounting Kit for AXIOM 12 / AXIOM+ 12 (including Sun Cover)	£87.50	£105.00
REAR MOUNTING KITS			
R70528	Rear Mounting Kit for AXIOM 7 / AXIOM+ 7 (Incl. Rear Brackets, Bolts and Thumbnuts)	£37.50	£45.00
R70531	Rear Mounting Kit for AXIOM 9 / AXIOM+ 9 (Incl. Rear Brackets, Bolts and Thumbnuts)	£41.67	£50.00
R70534	Rear Mounting Kit for AXIOM 12 / AXIOM+ 12 (Incl. Rear Brackets, Bolts and Thumbnuts)	£41.67	£50.00
POWER CABLES			
R70561	Element / AXIOM / AXIOM+ Power Cable 1.5m Right Angled with NMEA 2000 Connector	£41.67	£50.00
R70523	Element / AXIOM / AXIOM+ Power Cable 1.5m Straight with NMEA 2000 Connector	£41.67	£50.00
ADAPTOR PLATES			
A80524	Adaptor Plate to fit AXIOM 7 / AXIOM+ 7 into e7 size cutout	£58.33	£70.00
A80526	Adaptor Plate to fit AXIOM 9 / AXIOM+ 9 into a9 size cutout	£58.33	£70.00
A80525	Adaptor Plate to fit AXIOM 9 / AXIOM+ 9 into C70 size cutout	£58.33	£70.00
A80564	Adaptor Plate to fit AXIOM 9 / AXIOM+ 9 into C80/E80 size cutout	£58.33	£70.00
A80528	Adaptor Plate to fit AXIOM 12 / AXIOM+ 12 into e12 size cutout	£79.17	£95.00
A80527	Adaptor Plate to fit AXIOM 12 / AXIOM+ 12 into a12 size cutout	£79.17	£95.00
A80529	Adaptor Plate to fit AXIOM 12 / AXIOM+ 12 into C120/E120 Classic size cutout	£79.17	£95.00

AXIOM®+

← (mm / in.) →						
	AXIOM+ 7		AXIOM+ 9		AXIOM+ 12	
	mm	in	mm	in	mm	in
A	250.4	9.86	265.03	10.43	314	12.36
B	133	5.24	157.78	6.21	217	8.54
C	162.5	6.4	187.8	7.39	226.8	8.93
D	76.4	3.0	76.71	3.02	76.20	3.0
E	218	8.59	170	6.69	180	7.08



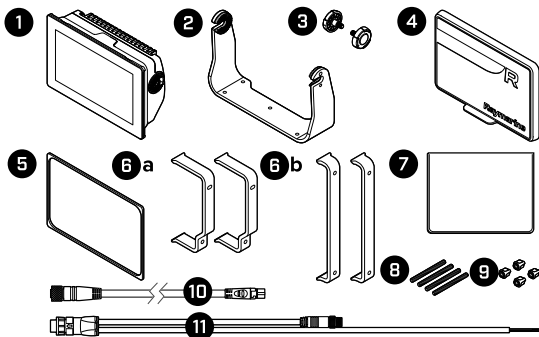
AXIOM+ 7: IN THE BOX



1. MFD (supplied with Trunnion adaptor fitted)
2. Trunnion bracket
3. Trunnion knobs x 2
4. Suncover — Trunnion mount
5. Panel mount gasket for surface/flush mounting
6. M5x58 Threaded studs x 4
7. M5 Thumb nuts x 4
8. Documentation pack
9. DeviceNet to SeaTalkng® adaptor cable 120 mm (4.7 in)
10. Power/NMEA 2000 cable (with 1.5 m (4.92 ft) power lead and 0.5 m (1.64 ft) NMEA 2000 lead).



AXIOM+ 9 / 12: IN THE BOX



1. MFD
2. Trunnion bracket
3. Trunnion knobs x 2
4. Suncover
5. Panel mount gasket for surface/flush mounting
6. Rear mounting brackets: (a) supplied with 9" MFD (b) supplied with 12" MFD
7. Documentation pack
8. M5x58 Threaded studs x 4
9. M5 Thumb nuts x 4
10. DeviceNet to SeaTalkng® adaptor cable 120 mm (4.7 in)
11. Power/NMEA 2000 cable (with 1.5 m (4.92 ft) power lead and 0.5 m (1.64 ft) NMEA 2000 lead).

AXIOM® 2 PRO



SAILING



CRUISING / WORKBOATS /
LAW ENFORCEMENT



OFFSHORE
FISHING

Our most powerful Axiom ever, Axiom 2 Pro, is upgraded with faster processors, superior displays, improved ergonomics, and the incredibly intuitive LightHouse 4 operating system. Get underway faster and confidently with Axiom 2 Pro's HybridTouch™ — a simple touchscreen experience plus reliable keypad control. Axiom 2 Pro chartplotters feature built-in wide-spectrum CHIRP sonars for fishing and navigation. Choose Axiom 2 Pro S models with a single High CHIRP sonar channel, or take your fishing to the max with Axiom 2 Pro RVM models, with 1kW CHIRP and RealVision MAX sonar technology.

More Power

Get underway faster with Axiom 2 Pro's lighting-fast 6-core processor.

HybridTouch

Plan and plot your course with fluid touchscreen control and take command with confident keypad control when seas are rough.

Customise

An interchangeable keypad gives you a choice an autopilot controls or user-programmable soft keys.

Find More Fish with RealVision MAX

RealVision MAX upgrades DownVision, SideVision, and 3D sonar with increased range, better resolution, and sharper fish targets

HydroTough Displays

Engineered to perform in extreme environments. HydroTough™ nano-coating technology repels water for reliable touchscreen control and enhances colours and sunlight visibility.

Navigate Smarter

Chartplotter, sonar, radar, autopilot, and video integrated together seamlessly with the super easy LightHouse 4 operating system.

Automatic Display Brightness

An ambient light sensor automatically adjusts display brightness for day and evening lighting conditions.

Network Like a Pro

Build a system with multiple Axiom displays and expanded video options, including HDMI output for remote displays and TVs.

AXIOM® 2 PRO

PART NO.	DESCRIPTION	RRP EX. VAT	RRP INC. VAT
AXIOM2 Pro S			
AXIOM2 Pro 9 S			
E70653	AXIOM2 Pro 9 S, HybridTouch 9" Multi-function Display with integrated High CHIRP Conical Sonar for CPT-S	£2,204.17	£2,645.00
E70653-00-NEU	AXIOM2 Pro 9 S, HybridTouch 9" Multi-function Display with integrated High CHIRP Conical Sonar for CPT-S and Northern European LightHouse Chart	£2,245.83	£2,695.00
E70653-00-WEU	AXIOM2 Pro 9 S, HybridTouch 9" Multi-function Display with integrated High CHIRP Conical Sonar for CPT-S and Western European LightHouse Chart	£2,245.83	£2,695.00
E70653-00-MED	AXIOM2 Pro 9 S, HybridTouch 9" Multi-function Display with integrated High CHIRP Conical Sonar for CPT-S and Mediterranean LightHouse Chart	£2,245.83	£2,695.00
AXIOM2 Pro 12 S			
E70655	AXIOM2 Pro 12 S, HybridTouch 12" Multi-function Display with integrated High CHIRP Conical Sonar for CPT-S	£3,370.83	£4,045.00
E70655-00-NEU	AXIOM2 Pro 12 S, HybridTouch 12" Multi-function Display with integrated High CHIRP Conical Sonar for CPT-S and Northern European LightHouse Chart	£3,412.50	£4,095.00
E70655-00-WEU	AXIOM2 Pro 12 S, HybridTouch 12" Multi-function Display with integrated High CHIRP Conical Sonar for CPT-S and Western European LightHouse Chart	£3,412.50	£4,095.00
E70655-00-MED	AXIOM2 Pro 12 S, HybridTouch 12" Multi-function Display with integrated High CHIRP Conical Sonar for CPT-S and Mediterranean LightHouse Chart	£3,412.50	£4,095.00
AXIOM2 Pro 16 S			
E70657	AXIOM2 Pro 16 S, HybridTouch 16" Multi-function Display with integrated High CHIRP Conical Sonar for CPT-S	£5,287.50	£6,345.00
E70657-00-NEU	AXIOM2 Pro 16 S, HybridTouch 16" Multi-function Display with integrated High CHIRP Conical Sonar for CPT-S and Northern European LightHouse Chart	£5,329.17	£6,395.00
E70657-00-WEU	AXIOM2 Pro 16 S, HybridTouch 16" Multi-function Display with integrated High CHIRP Conical Sonar for CPT-S and Western European LightHouse Chart	£5,329.17	£6,395.00
E70657-00-MED	AXIOM2 Pro 16 S, HybridTouch 16" Multi-function Display with integrated High CHIRP Conical Sonar for CPT-S and Mediterranean LightHouse Chart	£5,329.17	£6,395.00
AXIOM2 Pro RVM			
AXIOM2 Pro 9 RVM			
E70654	AXIOM2 Pro 9 RVM, HybridTouch 9" Multi-function Display with integrated 1kW Sonar, DV, SV and RealVision 3D Sonar	£2,537.50	£3,045.00
E70654-00-NEU	AXIOM2 Pro 9 RVM, HybridTouch 9" Multi-function Display with integrated 1kW Sonar, DV, SV, RealVision 3D Sonar and Northern European LightHouse Chart	£2,579.17	£3,095.00
E70654-00-WEU	AXIOM2 Pro 9 RVM, HybridTouch 9" Multi-function Display with integrated 1kW Sonar, DV, SV, RealVision 3D Sonar and Western European LightHouse Chart	£2,579.17	£3,095.00
E70654-00-MED	AXIOM2 Pro 9 RVM, HybridTouch 9" Multi-function Display with integrated 1kW Sonar, DV, SV, RealVision 3D Sonar and Mediterranean LightHouse Chart	£2,579.17	£3,095.00
AXIOM2 Pro 12 RVM			
E70656	AXIOM2 Pro 12 RVM, HybridTouch 12" Multi-function Display with integrated 1kW Sonar, DV, SV and RealVision 3D Sonar	£3,787.50	£4,545.00
E70656-00-NEU	AXIOM2 Pro 12 RVM, HybridTouch 12" Multi-function Display with integrated 1kW Sonar, DV, SV, RealVision 3D Sonar and Northern European LightHouse Chart	£3,829.17	£4,595.00
E70656-00-WEU	AXIOM2 Pro 12 RVM, HybridTouch 12" Multi-function Display with integrated 1kW Sonar, DV, SV, RealVision 3D Sonar and Western European LightHouse Chart	£3,829.17	£4,595.00
E70656-00-MED	AXIOM2 Pro 12 RVM, HybridTouch 12" Multi-function Display with integrated 1kW Sonar, DV, SV, RealVision 3D Sonar and Mediterranean LightHouse Chart	£3,829.17	£4,595.00
AXIOM2 Pro 16 RVM			
E70658	AXIOM2 Pro 16 RVM, HybridTouch 16" Multi-function Display with integrated 1kW Sonar, DV, SV and RealVision 3D Sonar	£5,704.17	£6,845.00
E70658-00-NEU	AXIOM2 Pro 16 RVM, HybridTouch 16" Multi-function Display with integrated 1kW Sonar, DV, SV and RealVision 3D Sonar and Northern European LightHouse Chart	£5,745.83	£6,895.00
E70658-00-WEU	AXIOM2 Pro 16 RVM, HybridTouch 16" Multi-function Display with integrated 1kW Sonar, DV, SV and RealVision 3D Sonar and Western European LightHouse Chart	£5,745.83	£6,895.00
E70658-00-MED	AXIOM2 Pro 16 RVM, HybridTouch 16" Multi-function Display with integrated 1kW Sonar, DV, SV and RealVision 3D Sonar and Mediterranean LightHouse Chart	£5,745.83	£6,895.00
AXIOM & AXIOM Pro Accessories			
CARTOGRAPHY			
R70794-IGB	LightHouse Chart (preloaded with UK & Ireland charts) on 32Gb micro SD card	£120.83	£145.00
R70794-NEU	LightHouse Chart (preloaded with Northern Europe charts) on 32 Gb micro SD card	£162.50	£195.00
R70794-WEU	LightHouse Chart (preloaded with Western Europe charts) on 32 Gb micro SD card	£162.50	£195.00
R70794-MED	LightHouse Chart (preloaded with Mediterranean region charts) on 32 Gb micro SD card	£162.50	£195.00
A80728	Navionics+ Blank µSD card for Regional Chart Download	£208.33	£250.00

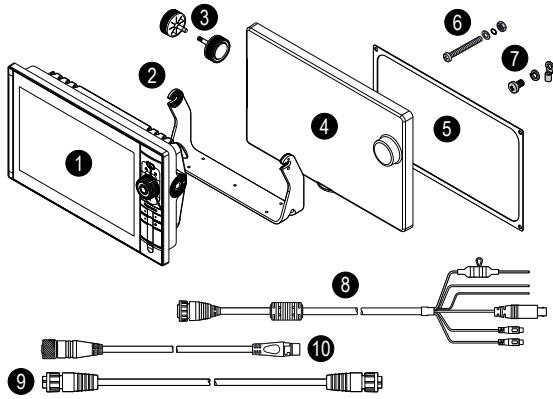
AXIOM® 2 PRO

PART NO.	DESCRIPTION	RRP EX. VAT	RRP INC. VAT
ACCESSORIES			
T70293	System Remote Control Keypad (RMK-10) Portrait & Landscape	£345.83	£415.00
A80585	Bulkhead Mount micro SD Card Reader with 1m Cable	£95.83	£115.00
A80440	Bulkhead Mount SD Card Reader and USB Socket with 1m Cable	£158.33	£190.00
A80630	Bulkhead Mount Micro USB Socket with 1m cable for DJI Drones only	£158.33	£190.00
A80589	GPS & Glonass antenna (AXIOM Pro, AXIOM XL & AIS 4000/5000)	£116.67	£140.00
E70310	Raystar 150 10Hz GPS/Glonass antenna (STng)	£237.50	£285.00
A80370	Pole Mount for RS150 GPS Antenna / Micro-Talk Puck	£29.17	£35.00
T70327	Raystar 150 10Hz GPS/Glonass antenna (STng) with Pole Mount	£250.00	£300.00
A80437	RS150/MicroTalk Puck Clamshell Riser Mounting Kit	£33.33	£40.00
A80007	HS-5 Network Switch (Raynet)	£270.83	£325.00
A80731	RNS5 Gigabit Raynet Network Switch	£329.17	£395.00
A80732	RNS8 Gigabit Raynet Network Switch with 4 x POE ports	£829.17	£995.00
R70615	Spare RealVision 25-pin Locking Collar Kit	£12.50	£15.00
A80644	Airmar Embedded Transducer Junction Box	£237.50	£285.00
SUNCOVERS			
A80534	AXIOM 9 Pro Silicone Suncover	£41.67	£50.00
A80535	AXIOM 12 Pro Silicone Suncover	£41.67	£50.00
A80536	AXIOM 16 Pro Silicone Suncover	£87.50	£105.00
A80741	AXIOM2 Pro 9 Silicon Suncover	£70.83	£85.00
A80742	AXIOM2 Pro 12 Silicon Suncover	£83.33	£100.00
A80743	AXIOM2 Pro 16 Silicon Suncover	£110.83	£133.00
TRUNNION MOUNTING KITS			
R70384	AXIOM Pro 9 / eS9 Trunnion Mount Kit	£100.00	£120.00
R70389	AXIOM Pro 12 / eS12 Trunnion Mount Kit	£100.00	£120.00
A80537	AXIOM Pro 16 Mounting Plate	£100.00	£120.00
FLUSH MOUNTING KITS			
R70385	AXIOM Pro 9 / eS9 Flush Mount Seal Kit	£37.50	£45.00
R70388	AXIOM Pro 12 / eS12 Flush Mount Seal Kit	£37.50	£45.00
R70599	AXIOM Pro 16 Flush Mount Seal Kit	£54.17	£65.00
REAR MOUNTING KITS			
A80342	AXIOM Pro 9 / eS9 Rear Mounting Bracket	£25.00	£30.00
A80343	AXIOM Pro 12 / eS12 Rear Mounting Bracket	£33.33	£40.00
POWER CABLES			
R70029	AXIOM Pro & XL, a9, a12, c9, c12, e7, e9, e12, e165, eS9, eS12 & gS Power cable, NMEA0183 & Video-in 1.5m Right Angle	£133.33	£160.00
R62379	AXIOM Pro & XL, a9, a12, c9, c12, e7, e9, e12, e165, eS9, eS12 & gS Power Cable, NMEA0183 & Video-in 1.5m Straight	£133.33	£160.00
A80745	AXIOM2 Pro & XL Power Cable, Right Angled 1.5M	£145.83	£175.00
A80744	AXIOM2 Pro & XL Power Cable, Straight 1.5M	£145.83	£175.00
ADAPTOR PLATES			
A80530	Adaptor Plate to fit AXIOM 9 Pro into E90W size cutout	£66.67	£80.00
A80565	Adaptor Plate to fit AXIOM 12 Pro into E120 size cutout	£79.17	£95.00
A80531	Adaptor Plate to fit AXIOM 12 Pro into E120W size cutout	£79.17	£95.00
A80533	Adaptor Plate to fit AXIOM Pro 16 into E140W/e165 size cutout	£100.00	£120.00
TRIM KITS			
R70383	AXIOM Pro 9 / eS9 Trim Kit	£37.50	£45.00
R70387	AXIOM Pro 12 / eS12 Trim Kit	£37.50	£45.00
R70598	AXIOM Pro 16 Trim Kit	£58.33	£70.00

AXIOM® 2 PRO

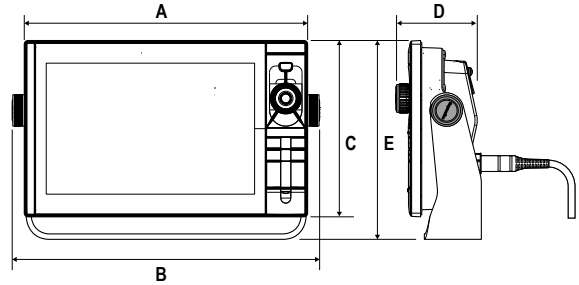


AXIOM 2 PRO: IN THE BOX



1. Display
2. Trunnion bracket (**Axiom 2 Pro 9 and 12 Only**)
3. Trunnion bracket fixings
4. Suncover
5. Gasket
6. Mounting fixings x 4 (Including bolts, washers, nuts)
7. M3 x 5 screw, M3 spring washer and M3 crimp terminal (for optional grounding connection)
8. Power/video/audio cable 1.5 m (4.92 ft)
9. RayNet 2 m (6.6 ft) network cable
10. SeaTalkng™ to DeviceNet 1 m (3.3 ft) adaptor cable

← (mm / in.) →						
	AXIOM 2 PRO 9		AXIOM 2 PRO 12		AXIOM 2 PRO 16	
	mm	in	mm	in	mm	in
A	299.32	11.78	358	14.1	452	17.8
B	329.5	12.97	388.5	15.3	482.50	19.00
C	173.8	6.84	222.8	8.77	258	10.2
D	97.9	3.85	96.3	3.79	101.8	4.0
E	186.2	7.3	246.13	9.69	281.20	11.10



AXIOM® 2 XL



SAILING



CRUISING
LUXURY YACHTS
SUPERYACHTS



OFFSHORE
FISHING

Axiom 2 XL, the flagship of the Axiom family, delivers powerful chartplotter performance, stylish large-format navigation, and the elegant simplicity of the LightHouse 4 operating system. Designed for all weather conditions, the rugged yet beautiful Axiom 2 XL displays are at home in open cockpits or enclosed glass bridge stations. Enhanced with powerful 6-core processors, expanded networking, and ultra-bright HydroTough displays, Axiom 2 XL is the premium chartplotter for captains who demand the best. Axiom 2 XL displays are available in 16, 19, 22, and 24-inch diagonal display sizes.

Glass Bridge

Axiom 2 XL offers the largest possible displays with the smallest overall footprint. Experience big-screen navigation even on tightly spaced helms.

More Powerful

Get underway faster with our most powerful 6-core chartplotter processor.

Remote Control

Add the RMK-10 keypad and enjoy complete remote keypad control of each Axiom 2 XL at your helm.

Advanced Video Integration

HDMI input, HDMI output, and USB touchscreen input lets you integrate with Axiom 2 XL with remote computers and HDTV monitors.

HydroTough Displays

Engineered to perform in extreme environments. HydroTough™ nano-coating technology repels water for reliable touchscreen control and delivers enhanced colours and sunlight visibility.

Navigate Smarter

Chartplotter, sonar, radar, autopilot, and video integrated together seamlessly with the intuitive LightHouse 4 operating system.

Automatic Display Brightness

An ambient light sensor automatically adjusts display brightness for day and evening lighting conditions.

Superior Networking

Create a glass bridge helm with multiple Axiom 2 XL displays and expanded video options, including 3 power-over-ethernet Raynet ports for video camera connectivity.

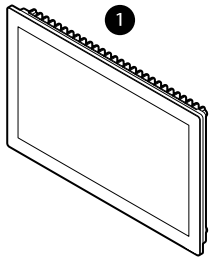
AXIOM® 2 XL

PART NO.	DESCRIPTION	RRP EX. VAT	RRP INC. VAT
AXIOM XL Glass Bridge Displays			
AXIOM XL Glass Bridge Displays			
E70399	AXIOM XL 16 - 15.6" Glass Bridge Multi-function Display	£5,829.17	£6,995.00
AXIOM2 XL Glass Bridge Displays			
AXIOM2 XL Glass Bridge Displays			
E70661	AXIOM2 XL 16 - 15.6" Glass Bridge Multi-function Display	£5,829.17	£6,995.00
E70662	AXIOM2 XL 19 - 18.5" Glass Bridge Multi-function Display	£8,745.83	£10,495.00
E70663	AXIOM2 XL 22 - 21.5" Glass Bridge Multi-function Display	£11,245.83	£13,495.00
E70664	AXIOM2 XL 24 - 24" Glass Bridge Multi-function Display	£12,912.50	£15,495.00
ACCESSORIES			
A80585	Bulkhead Mount micro SD Card Reader with 1m Cable	£95.83	£115.00
A80440	Bulkhead Mount SD Card Reader and USB Socket with 1m Cable	£158.33	£190.00
A80630	Bulkhead Mount Micro USB Socket with 1m cable for DJI Drones only	£158.33	£190.00
A80589	GPS & Glonass antenna (AXIOM Pro, AXIOM XL & AIS 4000/5000)	£116.67	£140.00
E26033	External Alarm Buzzer	£37.50	£45.00
A80219	HDMI Cable 5m	£58.33	£70.00
A80235	Video In and Alarm Cable - 2m for AxiomXL and gS series	£33.33	£40.00
T70431	AXIOM XL Accessory Pack including GA150 GPS, RCR-SD/USB and Honk including cable	£195.83	£235.00
A80578	Touch Screen (USB B) to AXIOM XL (USB A right angle) Cable - 5m	£50.00	£60.00
A80579	AXIOM XL Touch Screen Out (USB B right angle) to Computer (USB A) Cable - 5m	£50.00	£60.00
A80733	Axiom2 XL 16 - Silicon Magnetic Suncover	£166.67	£200.00
A80734	Axiom2 XL 19 - Silicon Magnetic Suncover	£237.50	£285.00
A80735	Axiom2 XL 22 - Silicon Magnetic Suncover	£287.50	£345.00
A80736	Axiom2 XL 24 - Silicon Magnetic Suncover	£329.17	£395.00
R70668	Axiom XL 16" Rear mounting kit	£245.83	£295.00
R70669	Axiom XL 19" Rear mounting kit	£245.83	£295.00
R70675	Axiom XL 22" Rear mounting kit	£241.67	£290.00
R70670	Axiom XL 24" Rear mounting kit	£241.67	£290.00
T70293	System Remote Control Keypad (RMK-10) Portrait & Landscape	£345.83	£415.00
E70310	Raystar 150 10Hz GPS/Glonass antenna (STng)	£237.50	£285.00
A80370	Pole Mount for RS150 GPS Antenna / Micro-Talk Puck	£29.17	£35.00
T70327	Raystar 150 10Hz GPS/Glonass antenna (STng) with Pole Mount	£250.00	£300.00
A80437	RS150/MicroTalk Puck Clamshell Riser Mounting Kit	£33.33	£40.00
A80007	HS-5 Network Switch (Raynet)	£270.83	£325.00
A80731	RNS5 Gigabit Raynet Network Switch	£329.17	£395.00
A80732	RNS8 Gigabit Raynet Network Switch with 4 x POE ports	£829.17	£995.00
POWER CABLES			
R70029	AXIOM Pro & XL, a9, a12, c9, c12, e7, e9, e12, e165, eS9, eS12 & gS Power cable, NMEA0183 & Video-in 1.5m Right Angle	£133.33	£160.00
R62379	AXIOM Pro & XL, a9, a12, c9, c12, e7, e9, e12, e165, eS9, eS12 & gS Power Cable, NMEA0183 & Video-in 1.5m Straight	£133.33	£160.00
A80745	AXIOM2 Pro & XL Power Cable, Right Angled 1.5M	£145.83	£175.00
A80744	AXIOM2 Pro & XL Power Cable, Straight 1.5M	£145.83	£175.00
CARTOGRAPHY			
R70794-IGB	LightHouse Chart (preloaded with UK & Ireland charts) on 32Gb micro SD card	£120.83	£145.00
R70794-NEU	LightHouse Chart (preloaded with Northern Europe charts) on 32 Gb micro SD card	£162.50	£195.00
R70794-WEU	LightHouse Chart (preloaded with Western Europe charts) on 32 Gb micro SD card	£162.50	£195.00
R70794-MED	LightHouse Chart (preloaded with Mediterranean region charts) on 32 Gb micro SD card	£162.50	£195.00
A80728	Navionics+ Blank µSD card for Regional Chart Download	£208.33	£250.00

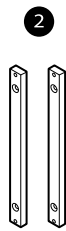
AXIOM[®] 2 XL



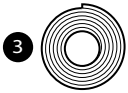
AXIOM 2 XL: IN THE BOX



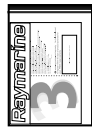
1



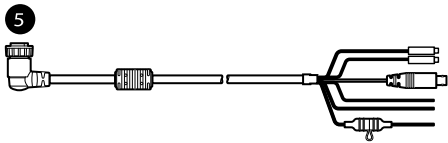
2



3



4



5



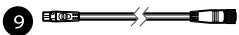
6



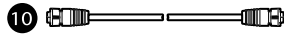
7



8



9

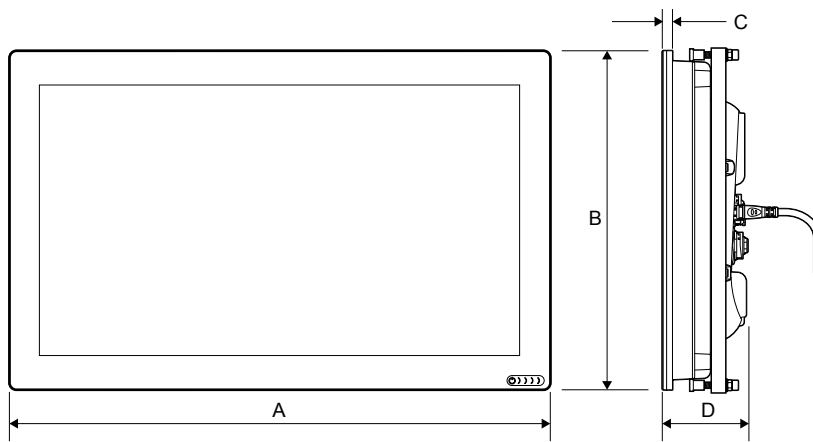


10

1. Axiom™ 2 XL MFD
2. Rear mounting bar x 2
3. Mounting gasket tape
4. Documentation pack
5. Power/Video/NMEA 0183 cable 1.5 m (4.92 ft) right-angled
6. Mounting bar fixings x 4 (M5 x 20 pozi countersunk)
7. Mounting fixings x 4 (Including M5 x 35 Bolts, M5 wavy washers, M5 nuts and mounting feet)
8. M3 x 5 screw, M3 spring washer and M3 crimp terminal (for optional grounding connection)
9. SeaTalkng™ to DeviceNet 1 m (3.3 ft) adaptor cable
10. RayNet 2 m (6.6 ft) network cable

AXIOM® 2 XL

	AXIOM 2 XL 16		AXIOM 2 XL 19		AXIOM 2 XL 22		AXIOM 2 XL 24	
	mm	in	mm	in	mm	in	mm	in
A	394.9	15.54	462	18.1	534	21.02	578	22.76
B	248.22	9.77	289	11.3	326	12.83	387	15.23
C	9.0	0.35	9.0	0.35	9.0	0.35	9.0	0.35
D	73.96	2.91	73.96	2.91	79.75	3.14	76	3.0



RVX1000 SONAR



INSHORE AND OFFSHORE FISHING

The RVX1000 offers all of the sonar performance and features of Raymarine Axiom Pro in a remotely mounted black box sonar module. With Raymarine's award winning RealVision 3D sonar technology, CHIRP Side and DownVision, plus a high powered 1kW dual channel CHIRP sonar, the RVX1000 is a versatile sonar solution for both inshore and offshore fishing.



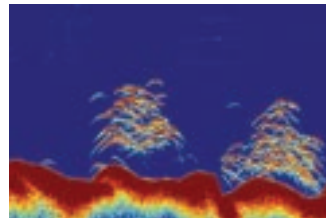
CHIRP DownVision

CHIRP DownVision® delivers a photo-like view of the world beneath your boat, allowing you to image bottom structures with amazing detail and simultaneously target fish.



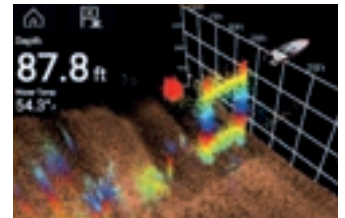
CHIRP SideVision

CHIRP SideVision® sonar expands your underwater horizon with bank-to-bank displays of fish, bait and underwater structures. SideVision lets you see further, see more clearly, and detect more fish than traditional side scanning sonars.



CHIRP DownVision

RVX1000 has built-in low power, high frequency CHIRP plus 1kW high power CHIRP supporting low, medium and high frequency bands. Dual transducer connections let you customise your sonar system with a wide range of transom mount, in-hull and through-hull options.



RealVision 3D

RealVision™ 3D give anglers the ability to see what's below, behind, and to the sides of the boat, all at once and in three-dimensions. RealVision 3D displays the entire underwater world—including structure, cover, fish and forage. Pan, tilt, and zoom the 3D image to examine from any angle.

RVX1000 SONAR

PART NO.	DESCRIPTION	RRP EX. VAT	RRP INC. VAT
RealVision BLACK BOX SOUNDER			
RealVision Black Box Sonar with 1kW Sonar, DownVision, SideVision and RealVision 3D Sonar			
E70511	RVX1000 RealVision Black Box Sonar with 1kW Sonar, DownVision, SideVision and RealVision 3D Sonar	£1,370.83	£1,645.00
E70665	RVM1600 RealVision Black Box Sonar with 1kW Sonar, DownVision, SideVision and RealVision 3D Sonar	£1,662.50	£1,995.00
AXIOM, AXIOM Pro and RVX1000 Transducers			
Conical High CHIRP Direct Connect to AXIOM DV. Adaptor cable A80490 required for AXIOM RV & all AXIOM Pro			
A80490	Adaptor Cable (9 pin to 25 pin) attach (CPT-xxx) transducer to AXIOM RV or AXIOM Pro RVX & S, 300mm	£50.00	£60.00
E70342	CPT-S Plastic Conical HIGH CHIRP Transom Mount Transducer, 10m	£58.33	£70.00
A80691	CPT-S Plastic Conical HIGH CHIRP In-Hull Transducer, 0/12/20° fitting options with 6m cable	£137.50	£165.00
E70339	CPT-S Plastic Conical HIGH CHIRP Through Hull 0° Angled Element Transducer, 10m	£145.83	£175.00
A80448	CPT-S Plastic Conical HIGH CHIRP Through Hull 12° Angled Element Transducer, 10m	£145.83	£175.00
A80447	CPT-S Plastic Conical HIGH CHIRP Through Hull 20° Angled Element Transducer, 10m	£145.83	£175.00
A80446	CPT-S Bronze Conical HIGH CHIRP Through Hull 0° Angled Element Transducer, 10m	£195.83	£235.00
E70340	CPT-S Bronze Conical HIGH CHIRP Through Hull 12° Angled Element Transducer, 10m	£195.83	£235.00
E70341	CPT-S Bronze Conical HIGH CHIRP Through Hull 20° Angled Element Transducer, 10m	£195.83	£235.00
Conical High CHIRP & DownVision Transducer Direct Connect to AXIOM DV. Adaptor cable A80490 required for AXIOM RV, AXIOM Pro-RVX & RVX1000			
A80490	Adaptor Cable (9 pin to 25 pin) attach (CPT-xxx) transducer to AXIOM RV or AXIOM Pro RVX & S, 300mm	£50.00	£60.00
A80351	CPT-100DVS Plastic Transom Mount Chirp Transducer, Depth & Temp, Direct connect to CP100 & xx8 MFDs (10m cable)	£112.50	£135.00
A80277	CPT-110 Plastic Through Hull Chirp Transducer with High Speed Fairing, Depth & Temp, Direct connect to CP100 & xx8 MFDs (10m cable)	£295.83	£355.00
A80350	CPT-120 Bronze Through Hull Chirp Transducer with High Speed Fairing, Depth & Temp, Direct connect to CP100 & xx8 MFDs (10m cable)	£341.67	£410.00
AXIOM RV, AXIOM Pro-RVX and RVX1000 RealVision 3D Transducers			
A80464	RV-100 RealVision 3D Transom Mount Transducer, Direct connect to AXIOM MFDs (8m cable)	£412.50	£495.00
A80470	RV-300 RealVision 3D Plastic Through Hull Transducer 0°, Direct connect to AXIOM (8m cable)	£870.83	£1,045.00
T70320	Pack of RV-312 RealVision 3D Plastic Thru Hull Txds, Port & Starboard 12°, Direct connect to AXIOM (2 x 2m, Y-cable and 8m extension cable)	£1,454.17	£1,745.00
T70321	Pack of RV-320 RealVision 3D Plastic Thru Hull Txds, Port & Starboard 20°, Direct connect to AXIOM (2 x 2m, Y-cable and 8m extension cable)	£1,454.17	£1,745.00
A80465	RV-200 RealVision 3D Bronze Through Hull Transducer 0°, Direct connect to AXIOM (8m cable)	£1,037.50	£1,245.00
T70318	Pack of RV-212 RealVision 3D Bronze Thru Hull Txds, Port & Starboard 12°, Direct connect to AXIOM (2 x 2m, Y-cable and 8m extension cable)	£1,712.50	£2,055.00
T70319	Pack of RV-220 RealVision 3D Bronze Thru Hull Txds, Port & Starboard 20°, Direct connect to AXIOM (2 x 2m, Y-cable and 8m extension cable)	£1,712.50	£2,055.00
A80615	RV-400 RealVision 3D Stainless Steel Through Hull Transducer 0°, Direct connect to AXIOM (8m cable)	£1,245.83	£1,495.00
T70450	Pack of RV-412 RealVision 3D Stainless Steel Thru Hull Txds, Port & Starboard 12°, Direct connect to AXIOM (2 x 2m, Y-cable and 8m extension cable)	£1,787.50	£2,145.00
T70451	Pack of RV-420 RealVision 3D Stainless Steel Thru Hull Txds, Port & Starboard 20°, Direct connect to AXIOM (2 x 2m, Y-cable and 8m extension cable)	£1,787.50	£2,145.00
AXIOM2 Pro RVM and RVM1600 RealVision 3D Transducers			
A80703	RVM-100 RealVision 3D Transom Mount Transducer, Direct connect to AXIOM2 Pro MFDs and RVM1600 (8m cable)	£495.83	£595.00
A80704	RVM-400 RealVision 3D Stainless Steel Through Hull Transducer 0°, Direct connect to AXIOM2 and RVM1600 (8m cable)	£1,329.17	£1,595.00
T70543	Pack of RVM-412 RealVision 3D Stainless Steel Thru Hull Txds, Port & Starboard 12°, Direct connect to AXIOM2 and RVM1600 (2 x 2m, Y-cable and 8m extension cable)	£2,079.17	£2,495.00
T70544	Pack of RVM-420 RealVision 3D Stainless Steel Thru Hull Txds, Port & Starboard 20°, Direct connect to AXIOM2 and RVM1600 (2 x 2m, Y-cable and 8m extension cable)	£2,079.17	£2,495.00
Non CHIRP 50/200 KHz transducer for AXIOM DV (A80484 required) and AXIOM RV Only (A80488 required)			
A80484	Adaptor Cable (7 pin to 9 pin) to attach an Airmar (7 pin) transducer to AXIOM 7 DV (9 pin)	£54.17	£65.00
A80488	Adaptor Cable (7 pin to 25 pin) to attach an Airmar transducer (7 pin) to AXIOM RV (25 pin)	£54.17	£65.00

RVX1000 SONAR

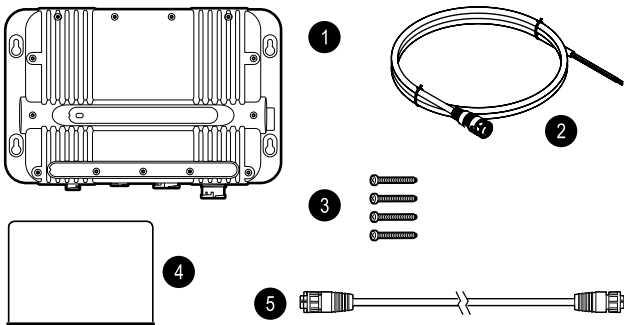
PART NO.	DESCRIPTION	RRP EX. VAT	RRP INC. VAT
AXIOM, AXIOM Pro and RVX1000 Transducers			
Non CHIRP 50/200 KHz transducer for AXIOM DV (A80485 required), AXIOM RV Only (A80489 required) & AXIOM Pro-RVX or RVX1000 (A80496 required)			
A80485	Adaptor Cable (8 pin to 9 pin) to attach an Airmar (8 pin) transducer to AXIOM 7 DV (9 pin)	£54.17	£65.00
A80489	Adaptor Cable (8 pin to 25 pin) to attach an Airmar (8 pin) transducer to AXIOM RV (25 pin)	£54.17	£65.00
A80496	Adaptor Cable to attach an Airmar transducer (8 pin) to AXIOM Pro-RVX (11 pin)	£54.17	£65.00
A80567	P74 Depth & Temp In Hull Transducer with 9m cable (CP370 connect 8-pin)	£120.83	£145.00
E66008	P79 600W Depth Plastic In-Hull Transducer with Adjustable Angle (8-Pin / CP370)	£166.67	£200.00
E66013	P319 600W Depth Plastic Low Profile Through Hull Transducer 50/200kHz	£187.50	£225.00
E66014	B117 600W Depth Low Profile Bronze Through Hull Transducer	£270.83	£325.00
E66077	P319 600W Depth & Temp Plastic Through Hull Transducer 50/200 kHz (CP370 8-pin)	£166.67	£200.00
E66086	B60 600W Depth & Temp Bronze Through Hull Transducer with 12° Tilted Element	£312.50	£375.00
E66085	B60 600W Depth & Temp Bronze Through Hull Transducer with 20° Tilted Element	£312.50	£375.00
E66054	P66 600W Depth, Speed & Temp Transom Mount Transducer	£195.83	£235.00
A66091	B744V 600W Depth, Speed & Temp Bronze Through Hull Retractable Transducer (includes E66023 Fairing Block)	£579.17	£695.00
A66092	B744VL 600W Depth, Speed & Temp Bronze Long Stem Through Hull Retractable Transducer (includes E66023 Fairing Block)	£629.17	£755.00
A66089	M260 1000W Depth Transducer with in hull-kit	£1,045.83	£1,255.00
E66076	R199 1000W Depth In-Hull Transducer	£2,329.17	£2,795.00
E66084	TM258 1000W Depth and Temp Transom Mount Transducer with Transom Mount Bracket (8 pin)	£791.67	£950.00
E66082	B258 1000W Depth & Temp Bronze Through Hull Transducer including Fairing Block (8 pin)	£845.83	£1,015.00
A102137	B164 1000W Depth & Temp Bronze Transducer 0° 50/200 kHz Flush (8 pin)	£1,045.83	£1,255.00
A102112	B164 1000W Depth & Temp Bronze Transducer 12° 50/200 kHz Low Profile (8 pin)	£937.50	£1,125.00
A102113	B164 1000W Depth & Temp Bronze Transducer 20° 50/200 kHz Low Profile (8 pin)	£1,045.83	£1,255.00
A80451	SS164 1000W Depth & Temp Stainless Steel Through Hull 0° Transducer 200/50 kHz (8 pin)	£1,187.50	£1,425.00
A66098	SS164 1000W Depth & Temp Stainless Steel Through Hull 12° Transducer 200/50 kHz (8 pin)	£1,187.50	£1,425.00
A66099	SS164 1000W Depth & Temp Stainless Steel Through Hull 20° Transducer 200/50 kHz (8 pin)	£1,187.50	£1,425.00
E66079	B260 1000W Depth & Temp Bronze Broadband Through Hull including Fairing Block (8 pin)	£1,187.50	£1,425.00
A102121	SS270 1000W Depth & Temp Stainless Steel Wide beam Through Hull Transducer 50/200 kHz (8 pin)	£1,187.50	£1,425.00
SPEED/TEMPERATURE – TRANSDUCERS			
E66071	P120 Speed & Temp Plastic Retractable Through Hull Transducer incl. Y-Cable E66022 (8 pin)	£262.50	£315.00
E66072	B120 Speed Temp Bronze Low Profile Through Hull Retractable Transducer incl. Y-Cable E66022 (8 pin)	£287.50	£345.00
AXIOM Pro-RVX, RVX1000, CP470 & CP570 600W/1KW/2KW/3KW Transducers - No Adaptor cable required - See CP470 Section			
AXIOM ADAPTOR CABLES			
A80515	AXIOM RV 45mm Right Angle Connector for AXIOM Transducers	£79.17	£95.00
A80484	Adaptor Cable (7 pin to 9 pin) to attach an Airmar (7 pin) transducer to AXIOM 7 DV (9 pin)	£54.17	£65.00
A80485	Adaptor Cable (8 pin to 9 pin) to attach an Airmar (8 pin) transducer to AXIOM 7 DV (9 pin)	£54.17	£65.00
A80486	Y-Cable (9 & 7 pin to 9 pin) to attach a DownVision (CPT-1xx) Transducer & an Airmar (7 pin) embedded 600W transducer to AXIOM 7 DV (9 pin)	£95.83	£115.00
A80487	Y-Cable (9 & 8 pin to 9 pin) to attach a DownVision (CPT-1xx) Transducer & an Airmar (8 pin) transducer to AXIOM 7 DV (9 pin)	£91.67	£110.00
A80488	Adaptor Cable (7 pin to 25 pin) to attach an Airmar transducer (7 pin) to AXIOM RV (25 pin)	£54.17	£65.00
A80489	Adaptor Cable (8 pin to 25 pin) to attach an Airmar (8 pin) transducer to AXIOM RV (25 pin)	£54.17	£65.00
A80490	Adaptor Cable (9 pin to 25 pin) attach (CPT-xxx) transducer to AXIOM RV or AXIOM Pro RVX & S, 300mm	£50.00	£60.00
A80491	Y-Cable (25 & 7 pin to 25 pin) to attach a RealVision 3D (RV-xxx) Transducer & an Airmar (7 pin) transducer to AXIOM RV (25 pin)	£95.83	£115.00
A80492	Y-Cable (25 & 8 pin to 25 pin) to attach a RealVision 3D (RV-xxx) Transducer & an Airmar (8 pin) transducer to AXIOM RV (25 pin)	£95.83	£115.00
A80493	Y-Cable (9 & 7 pin to 25 pin) to attach a DownVision (CPT-1xx) Transducer & an Airmar (7 pin) transducer to AXIOM RV (25 pin)	£91.67	£110.00
A80494	Y-Cable (9 & 8 pin to 25 pin) to attach a DownVision (CPT-1xx) Transducer & an Airmar (8 pin) transducer to AXIOM RV	£95.83	£115.00
A80496	Adaptor Cable to attach an Airmar transducer (8 pin) to AXIOM Pro-RVX (11 pin)	£54.17	£65.00

RVX1000 SONAR

PART NO.	DESCRIPTION	RRP EX. VAT	RRP INC. VAT
EXTENSION CABLES			
A80475	3m RealVision 3D Transducer Extension Cable	£95.83	£115.00
A80476	5m RealVision 3D Transducer Extension Cable	£104.17	£125.00
A80477	8m RealVision 3D Transducer Extension Cable	£162.50	£195.00
E66010	5m Transducer Extension Cable with Removable Back-Shell for Airmar transducers (8 pin)	£100.00	£120.00
E66066	Transducer Adaptor Cable for DSM/CP370 style transducers a,c,e Series 8 pin to 7 pin	£87.50	£105.00
A62363	1m Minnkota Adaptor Cable (7 pin)	£62.50	£75.00
TRANSDUCER MOUNTING PLATES			
R70521	RV-100 Transom Mounting Bracket	£54.17	£65.00
A80479	Step Mount for RV-100 RealVision 3D transom Mount Transducer	£54.17	£65.00
A80480	Jack Plate Mount for RV-100 RealVision 3D transom Mount Transducer	£50.00	£60.00
A80482	Spacer Kit for Jack Plate Mount for RV-100 RealVision 3D transom Mount Transducer	£29.17	£35.00

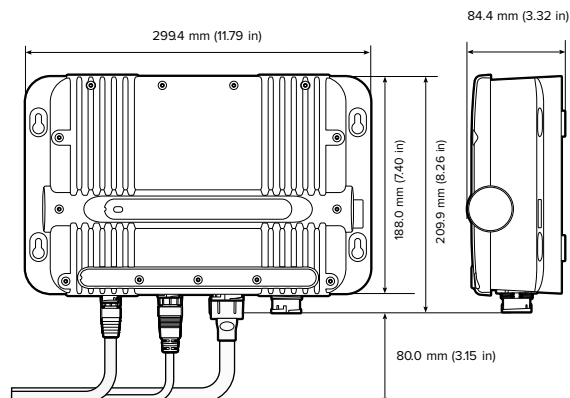


RVX1000: IN THE BOX



1. RVX1000 Sonar module
2. 1.5m power cable
3. Fixing screws
4. Documentation pack
5. RayNet Network Cable, 2m

← (mm / in.) →



RVM1600 SONAR



INSHORE AND OFFSHORE FISHING

The RVM1600 with RealVision MAX technology takes Raymarine multi-channel CHIRP sonar performance to a new level. The next generation of DownVision, SideVision, 3D, and conventional CHIRP sonar, RealVision MAX delivers vivid sonar imagery and fish targets like never before. RealVision MAX starts with all-new high-performance RealVision CHIRP transducers, upgraded with larger elements and increased power output for extended-range performance. Next, RealVision MAX CHIRP signal processing and faster ping rates improve visual fidelity and target identification. With RealVision MAX, structure is more recognizable, and the most elusive fish are easily identifiable with high-contrast RealVision MAX sonar colour palettes.

Multi-Channel Sonar

The RVM1600 is equipped with both a 1 kW dual-channel CHIRP sonar plus RealVision MAX sonar channels, including High CHIRP, SideVision, DownVision, and 3D channel.

Maximum Clarity

RealVision MAX CHIRP sonar processing, combined with faster ping rates, delivers superior sonar imagery in CHIRP, Side, Down, and RealVision sonar channels.

Maximum Fish

New RealVision MAX high contrast colour palettes and fish targeting enhancements help you positively identify fish and bait.

Maximum Range

More powerful RealVision MAX CHIRP transducers with a 600-watt conical High CHIRP element and upgraded Side and DownVision elements deliver better fishfinding on longer-range scales.

CHIRP DownVision

CHIRP DownVision® delivers a photo-like view of the world beneath your boat. See bottom structures and fish targets with amazing detail.

CHIRP SideVision

CHIRP SideVision® sonar expands your underwater horizon with bank-to-bank displays of fish, bait, and underwater structures. See further and see more fish than traditional side scanning sonars.

Conventional CHIRP

RealVision Max transducers feature a 600-watt high-frequency conical CHIRP element for coastal fishing. A separate 1kW dual-channel CHIRP sonar for offshore fishing with a wide range of transom, in-hull and through-hull options.

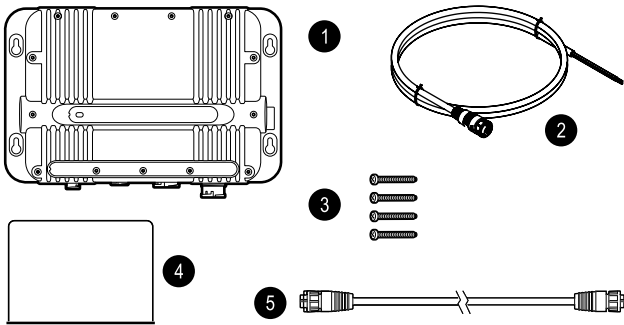
3D Sonar

RealVision MAX 3D sonar lets anglers see sonar data in a life-like 3D perspective view. Use 3D sonar to pinpoint that elusive wreck or setup the perfect drift.

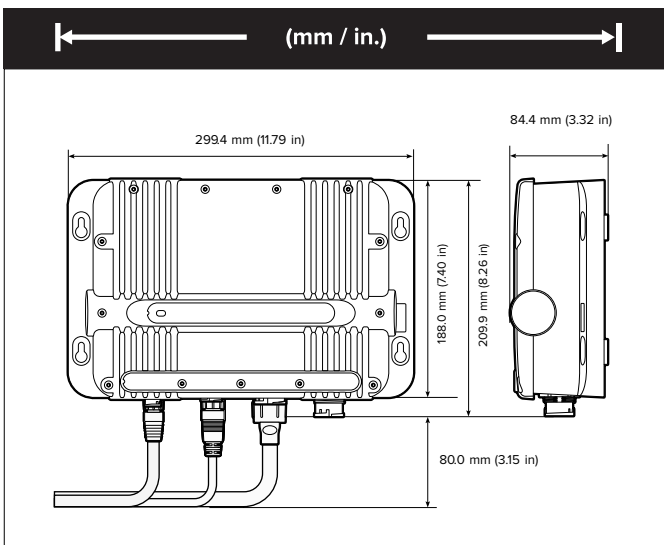
RVM1600 SONAR



RVM1600: IN THE BOX



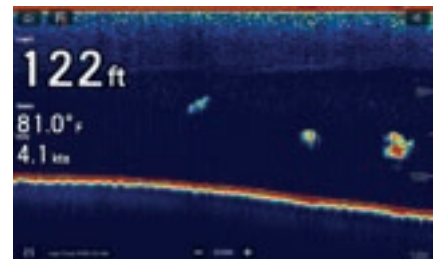
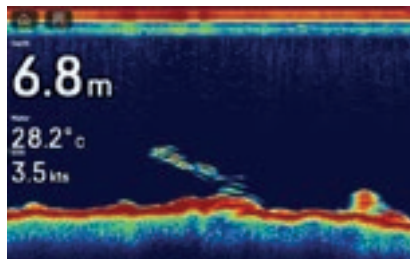
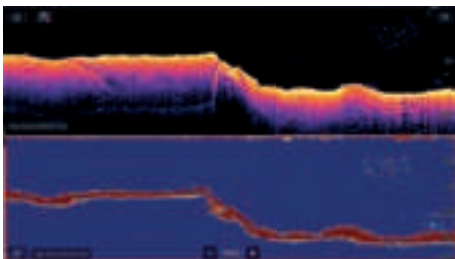
1. RVM1600 Sonar module
2. 1.5m power cable
3. Fixing screws
4. Documentation pack
5. RayNet Network Cable, 2m



RVM-400
Through-Hull Transducer



RVM-100
Transom-Mount Transducer



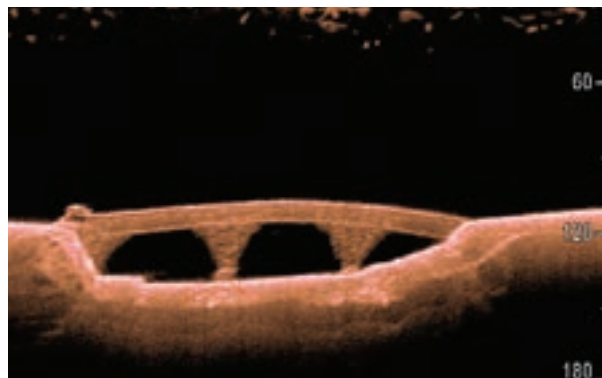
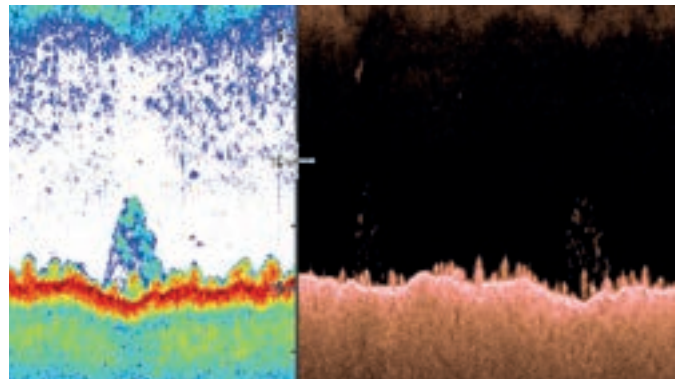
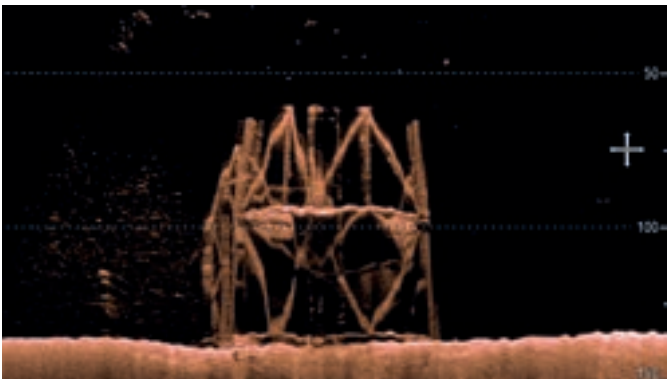
CP100 SONAR



FRESHWATER AND COASTAL FISHING

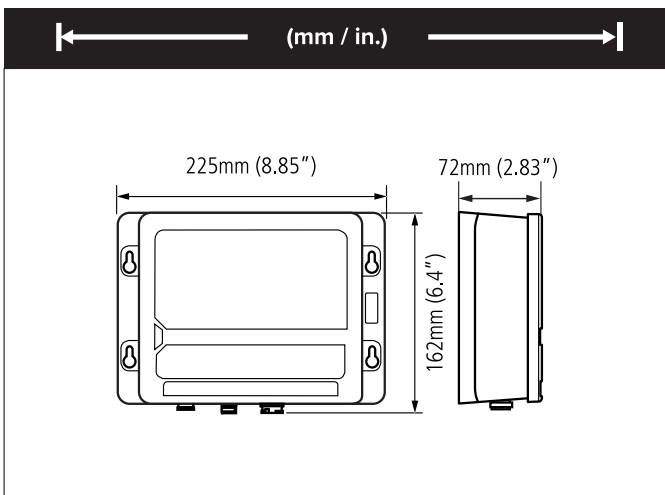
CP100 DownVision Sonar Module

The CP100 network sonar module brings CHIRP DownVision technology to Raymarine's chartplotters displays. CP100's CHIRP DownVision delivers a photo like view of the world beneath your boat, allowing you to image bottom structure with amazing detail and target fish simultaneously.



CP100 SONAR

PART NO.	DESCRIPTION	RRP EX. VAT	RRP INC. VAT
CP100			
DOWNVISION & SIDEVISION SOUNDER MODULE			
E70204	CP100 DownVision Fishfinder	£512.50	£615.00
CHIRP SONAR, DOWNVISION & SIDEVISION TRANSDUCERS			
E70342	CPT-S Plastic Conical HIGH CHIRP Transom Mount Transducer, 10m	£58.33	£70.00
A80691	CPT-S Plastic Conical HIGH CHIRP In-Hull Transducer, 0/12/20° fitting options with 6m cable	£137.50	£165.00
E70339	CPT-S Plastic Conical HIGH CHIRP Through Hull 0° Angled Element Transducer, 10m	£145.83	£175.00
A80448	CPT-S Plastic Conical HIGH CHIRP Through Hull 12° Angled Element Transducer, 10m	£145.83	£175.00
A80447	CPT-S Plastic Conical HIGH CHIRP Through Hull 20° Angled Element Transducer, 10m	£145.83	£175.00
A80446	CPT-S Bronze Conical HIGH CHIRP Through Hull 0° Angled Element Transducer, 10m	£195.83	£235.00
E70340	CPT-S Bronze Conical HIGH CHIRP Through Hull 12° Angled Element Transducer, 10m	£195.83	£235.00
E70341	CPT-S Bronze Conical HIGH CHIRP Through Hull 20° Angled Element Transducer, 10m	£195.83	£235.00
A80351	CPT-100DVS Plastic Transom Mount Chirp Transducer, Depth & Temp, Direct connect to CP100 & xx8 MFDs (10m cable)	£112.50	£135.00
A80277	CPT-110 Plastic Through Hull Chirp Transducer with High Speed Fairing, Depth & Temp, Direct connect to CP100 & xx8 MFDs (10m cable)	£295.83	£355.00
A80350	CPT-120 Bronze Through Hull Chirp Transducer with High Speed Fairing, Depth & Temp, Direct connect to CP100 & xx8 MFDs (10m cable)	£341.67	£410.00
A80281	CPT-200 Transom Mount Chirp Transducer, SideVision & Temp, Direct connect to CP200 (10m cable)	£329.17	£395.00
ACCESSORIES			
A80363	CPT-S Trolling Motor Mounting Kit	£33.33	£40.00
R70496	CPT-S Transom Bracket with Hardware	£29.17	£35.00
A80330	CPT-DV / CPT-DVS / CPT-100DVS Trolling Motor Mount	£33.33	£40.00
A80273	Transducer Extension for CPT-S, CPT100, CPT110 & CPT120 (4m cable)	£37.50	£45.00



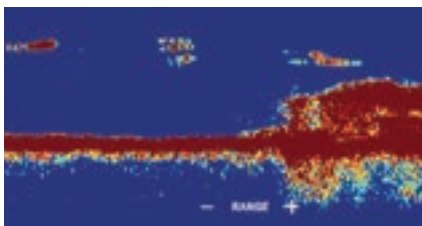
CP100: IN THE BOX

1. Sonar module
2. 1.0m (3.28 ft) power cable
3. Fixing screws
4. Documentation pack

CP370 SONAR



OFFSHORE AND COASTAL FISHING



The CP370 delivers exceptional clarity, sharper fish targets, and automatic operation using Raymarine's next-generation ClearPulse™ digital sonar processing. The CP370 boasts up to 1,000 watts of power and operates at 200kHz for inshore and 50kHz for offshore fishing. ClearPulse™ signal processing intelligently manages the CP370 sonar parameters in all conditions so anglers can spend more time fishing and less time adjusting the sonar.

CP370 MFD Compatibility

aSeries | cSeries | eSeries | eS Series | gS Series | C-Widescreen | G-Series- Classic | E-Classic | E-Widescreen | Axiom | Axiom+ | Axiom Pro | Axiom XL

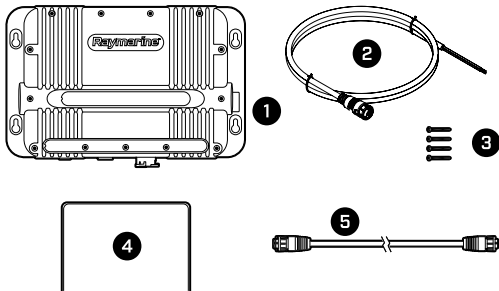
PART NO.	DESCRIPTION	RRP EX. VAT	RRP INC. VAT
CP370			
CP370 SOUNDER MODULE			
E70297	CP370 ClearPulse 1KW Sonar Module	£662.50	£795.00
DEPTH – 600W TRANSDUCERS			
E66008	P79 600W Depth Plastic In-Hull Transducer with Adjustable Angle (8-Pin / CP370)	£166.67	£200.00
E66013	P319 600W Depth Plastic Low Profile Through Hull Transducer 50/200kHz	£187.50	£225.00
E66014	B117 600W Depth Low Profile Bronze Through Hull Transducer	£270.83	£325.00
DEPTH/TEMPERATURE – 600W TRANSDUCERS			
A80567	P74 Depth & Temp In Hull Transducer with 9m cable (CP370 connect 8-pin)	£120.83	£145.00
E66085	B60 600W Depth & Temp Bronze Through Hull Transducer with 20° Tilted Element	£312.50	£375.00
E66086	B60 600W Depth & Temp Bronze Through Hull Transducer with 12° Tilted Element	£312.50	£375.00
A80568	SS60 600W Depth & Temp Stainless Steel Through Hull Transducer with 0° Element & 9m cable	£412.50	£495.00
A80569	SS60 600W Depth & Temp Stainless Steel Through Hull Transducer with 12° Tilted Element & 9m cable	£412.50	£495.00
A80570	SS60 600W Depth & Temp Stainless Steel Through Hull Transducer with 20° Tilted Element & 9m cable	£412.50	£495.00
E66077	P319 600W Depth & Temp Plastic Through Hull Transducer 50/200 kHz (CP370 8-pin)	£166.67	£200.00

CP370 SONAR

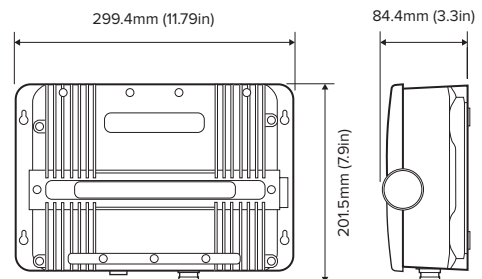
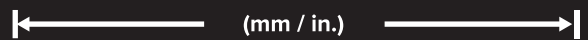
PART NO.	DESCRIPTION	RRP EX. VAT	RRP INC. VAT
DEPTH/SPEED/TEMPERATURE – 600W TRANSDUCERS			
E66054	P66 600W Depth, Speed & Temp Transom Mount Transducer	£195.83	£235.00
A66091	B744V 600W Depth, Speed & Temp Bronze Through Hull Retractable Transducer (includes E66023 Fairing Block)	£579.17	£695.00
A66092	B744VL 600W Depth, Speed & Temp Bronze Long Stem Through Hull Retractable Transducer (includes E66023 Fairing Block)	£629.17	£755.00
DEPTH – 1KW HIGH PERFORMANCE TRANSDUCERS			
A66089	M260 1000W Depth Transducer with in hull-kit	£1,045.83	£1,255.00
E66076	R199 1000W Depth In-Hull Transducer	£2,329.17	£2,795.00
DEPTH/TEMPERATURE – 1KW HIGH PERFORMANCE TRANSDUCERS			
E66084	TM258 1000W Depth and Temp Transom Mount Transducer with Transom Mount Bracket (8 pin)	£791.67	£950.00
E66082	B258 1000W Depth & Temp Bronze Through Hull Transducer including Fairing Block (8 pin)	£845.83	£1,015.00
A102112	B164 1000W Depth & Temp Bronze Transducer 12° 50/200 kHz Low Profile (8 pin)	£937.50	£1,125.00
A102113	B164 1000W Depth & Temp Bronze Transducer 20° 50/200 kHz Low Profile (8 pin)	£1,045.83	£1,255.00
A102137	B164 1000W Depth & Temp Bronze Transducer 0° 50/200 kHz Flush (8 pin)	£1,045.83	£1,255.00
A80451	SS164 1000W Depth & Temp Stainless Steel Through Hull 0° Transducer 200/50 kHz (8 pin)	£1,187.50	£1,425.00
A66098	SS164 1000W Depth & Temp Stainless Steel Through Hull 12° Transducer 200/50 kHz (8 pin)	£1,187.50	£1,425.00
A66099	SS164 1000W Depth & Temp Stainless Steel Through Hull 20° Transducer 200/50 kHz (8 pin)	£1,187.50	£1,425.00
E66079	B260 1000W Depth & Temp Bronze Broadband Through Hull including Fairing Block (8 pin)	£1,187.50	£1,425.00
A102121	SS270 1000W Depth & Temp Stainless Steel Wide beam Through Hull Transducer 50/200 kHz (8 pin)	£1,187.50	£1,425.00
SPEED/TEMPERATURE – TRANSDUCERS			
E66071	P120 Speed & Temp Plastic Retractable Through Hull Transducer incl. Y-Cable E66022 (8 pin)	£262.50	£315.00
E66072	B120 Speed Temp Bronze Low Profile Through Hull Retractable Transducer incl. Y-Cable E66022 (8 pin)	£287.50	£345.00
ACCESSORIES			
E66010	5m Transducer Extension Cable with Removable Back-Shell for Airmar transducers (8 pin)	£100.00	£120.00
E66066	Transducer Adaptor Cable for DSM/CP370 style transducers a.c.e Series 8 pin to 7 pin	£87.50	£105.00
E66023	B744V/B744VL Hi-Speed Fairing Block	£129.17	£155.00



CP370: IN THE BOX



1. Sonar module
2. 1.5m (5 ft) power cable
3. No.8 fixing screws
4. Documentation pack
5. 2m (6.56 ft) RayNet (Female to Female) network cable



CP470 & CP570 SONAR

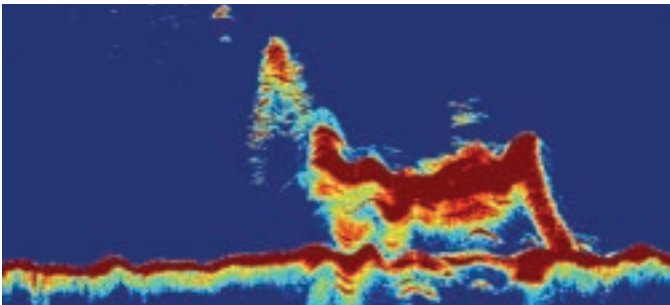


CP470
OFFSHORE AND COASTAL



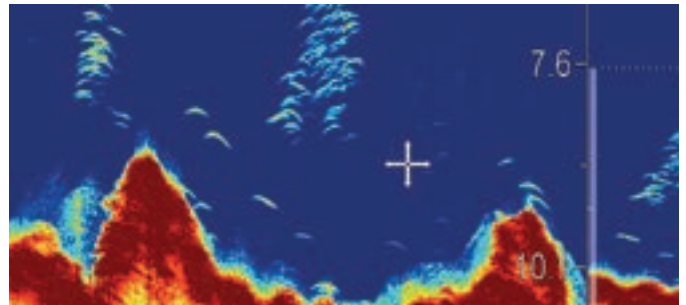
CP570
PROFESSIONAL & TOURNAMENT

With ten times the resolution of ordinary sonars, the CP470 and CP570 CHIRP sonar modules deliver sharper, more defined fish targets, and automatically filter out unwanted noise. Pair these powerful CHIRP sonar modules with any Axiom chartplotter, and you will never miss any of the action below.



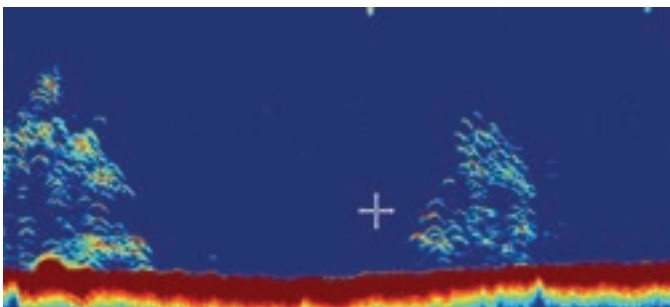
Serious Offshore Sonar

Using a choice of Low, Medium, or High frequencies the CP470, and CP570's advanced CHIRP transceivers can see through dense schools of baitfish, identify thermoclines, and simultaneously target desired game fish.



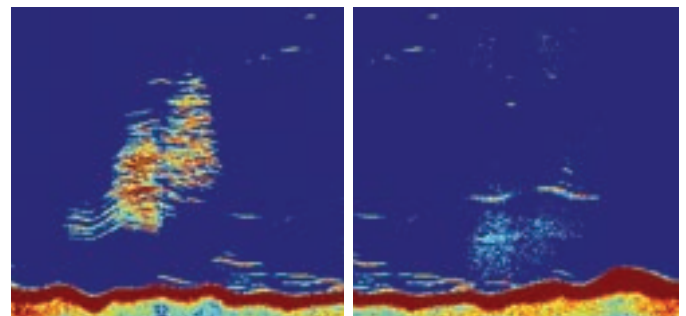
Best-in-Class Target Separation

The CP470 and CP570 deliver superior target definition and enhanced sensitivity using Raymarine's exclusive wide spectrum CHIRP sonar technology.



CP470 2kW CHIRP

Target fish, identify bait, and track the seafloor down to 10,000ft. (3,000m) with two adjustable CHIRP sonar channels.



CP570: Up to 4kW of Power

Step up to the CP570 with a combined 4kW of CHIRP sonar power. Hunt for fish in different parts of the water column with the CP570's two fully independent 2kW sonar channels.

CP470 & CP570 SONAR

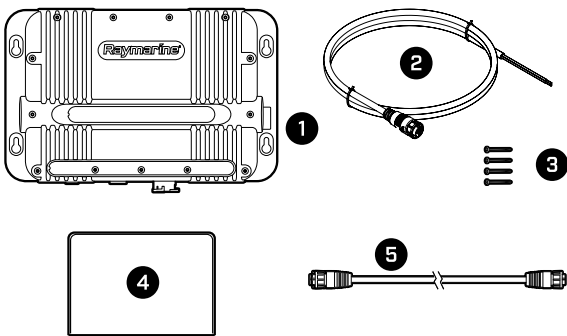
PART NO.	DESCRIPTION	RRP EX. VAT	RRP INC. VAT
CP470 & CP570			
CP470/CP570 SOUNDER MODULE			
E70298	CP470 Clear Pulse 470 CHIRP	£1,079.17	£1,295.00
E70258	CP570 Clear Pulse 570 CHIRP	£1,579.17	£1,895.00
CP470/CP570 300W - 600W TRANSDUCERS			
A80014	B765LH D/T Through Hull Low (300W) - High (600W) Transducer	£1,020.83	£1,225.00
A80015	B765LM D/T Through Hull Low (300W) - Medium (600W) Transducer	£933.33	£1,120.00
A80016	B75L Bronze Low Profile D/T Through Hull Transducer 0° Angle (300W)	£829.17	£995.00
A80017	B75M Bronze Low Profile D/T Through Hull Transducer 0° Angle (600W)	£875.00	£1,050.00
A80018	B75H Bronze Low Profile D/T Through Hull Transducer 0° Angle (600W)	£829.17	£995.00
A80034	B75M Bronze Low Profile D/T Through Hull Transducer 12° Angle (600W)	£875.00	£1,050.00
A80035	B75H Bronze Low Profile D/T Through Hull Transducer 12° Angle (600W)	£829.17	£995.00
A80036	B75M Bronze Low Profile D/T Through Hull Transducer 20° Angle (600W)	£875.00	£1,050.00
A80037	B75H Bronze Low Profile D/T Through Hull Transducer 20° Angle (600W)	£829.17	£995.00
CP470/CP570 1KW TRANSDUCER PAIRS (all pairs include Y-cable)			
T70075	B175 Depth & Temperature Bronze Low Profile Through Hull Transducer pair 20 deg - Low & High	£2,604.17	£3,125.00
T70076	B175 Depth & Temperature Bronze Low Profile Through Hull Transducer pair 20 deg - Low & Medium	£2,650.00	£3,180.00
T70077	B175 Depth & Temperature Bronze Low Profile Through Hull Transducer pair 20 deg - Medium & High	£2,512.50	£3,015.00
CP470/CP570 1KW TRANSDUCERS			
A80042	B175L Bronze Low Profile 1000W D/T Through Hull Transducer 0° Angle	£1,412.50	£1,695.00
A80043	B175M Bronze Low Profile 1000W D/T Through Hull Transducer 0° Angle	£1,320.83	£1,585.00
A80044	B175H Bronze Low Profile 1000W D/T Through Hull Transducer 0° Angle	£1,275.00	£1,530.00
A80045	B175L Bronze Low Profile 1000W D/T Through Hull Transducer 12° Angle	£1,412.50	£1,695.00
A80046	B175M Bronze Low Profile 1000W D/T Through Hull Transducer 12° Angle	£1,320.83	£1,585.00
A80047	B175H Bronze Low Profile 1000W D/T Through Hull Transducer 12° Angle	£1,275.00	£1,530.00
A80048	B175L Bronze Low Profile 1000W D/T Through Hull Transducer 20° Angle	£1,412.50	£1,695.00
A80049	B175M Bronze Low Profile 1000W D/T Through Hull Transducer 20° Angle	£1,320.83	£1,585.00
A80050	B175H Bronze Low Profile 1000W D/T Through Hull Transducer 20° Angle	£1,275.00	£1,530.00
A80319	B175H-W 1000W D/T Through Hull Wide Beam Transducer 0° Angle	£1,554.17	£1,865.00
A80320	B175H-W 1000W D/T Through Hull Wide Beam Transducer 12° Angle	£1,554.17	£1,865.00
A80321	B175H-W 1000W D/T Through Hull Wide Beam Transducer 20° Angle	£1,554.17	£1,865.00
CP470 & CP570			
CP470/CP570 1KW TRANSDUCERS			
A80010	B265LH D/T Through Hull Low-High Transducer	£1,791.67	£2,150.00
A80011	B265LM D/T Through Hull Low-Medium Transducer	£1,937.50	£2,325.00
A80322	B275LH-W 1000W D/T Through Hull Low-High Wide Beam Bronze Transducer with Fairing Block	£2,166.67	£2,600.00
A80012	M265LH D In Hull Low-High Transducer	£1,891.67	£2,270.00
A80038	M265LM D In Hull Low-Medium Transducer	£1,975.00	£2,370.00
A80013	TM265 LH D/T Transom Mount Low-High Transducer	£1,616.67	£1,940.00
A80041	TM265 LM D/T Transom Mount Low-Medium Transducer	£1,708.33	£2,050.00
A80318	TM275LH-W 1000W D/T Transom Mount Low-High Wide Beam Transducer	£1,975.00	£2,370.00
A80325	PM275LH-W 1000W D/T Pocket/Keel Mount Low-High Wide Beam Transducer	£1,975.00	£2,370.00
A80504	SS175L Low CHIRP 1kW D/T Through Hull Transducer 20° Angle	£1,916.67	£2,300.00
A80505	SS175M Medium CHIRP 1kW D/T Through Hull Transducer 20° Angle	£1,937.50	£2,325.00
A80506	SS175H Wide Beam CHIRP 1kW D/T Through Hull Transducer 20° Angle	£1,937.50	£2,325.00
CP470/CP570 2KW TRANSDUCERS (Note: ALL -W transducers require extension cable)			
A80039	R109 D/T Through Hull Low-High 2KW molded Transducer	£2,875.00	£3,450.00
A80040	R109 D/T Through Hull Low-Medium 2KW molded Transducer	£3,291.67	£3,950.00
A80323	R109LH-W 2KW D/T Through Hull Low-High molded Wide Beam Transducer	£3,166.67	£3,800.00
A80133	R111 D/T In Hull Low-High 2KW Molded Transducer	£3,458.33	£4,150.00
A80134	R111 D/T In Hull Low-Medium 2KW Molded Transducer	£3,566.67	£4,280.00
A80326	PM111LH-W 2KW D/T Pocket/Keel Mount Low-High Wide Beam Transducer	£3,400.00	£4,080.00
A80378	PM411LM-W UltraWide 2KW Pocket/Keel-Mount Low-Medium CHIRP Transducer	£4,620.83	£5,545.00
A80377	R409LM-W UltraWide 2KW Through Hull Low-Medium CHIRP Transducer	£4,750.00	£5,700.00

CP470 & CP570 SONAR

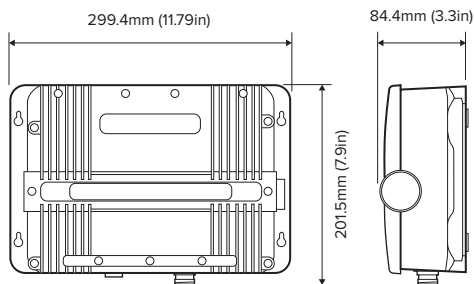
PART NO.	DESCRIPTION	RRP EX. VAT	RRP INC. VAT
CP470/CP570 3KW TRANSDUCERS (Note: ALL -W transducers require extension cable)			
A80210	R509 D/T Through Hull Low-High Hi Performance 3KW Transducer	£4,250.00	£5,100.00
A80211	R509 D/T Through Hull Low-Medium Hi Performance 3KW Transducer	£4,458.33	£5,350.00
A80324	R509LH-W 3KW D/T Through Hull Wide Beam Transducer	£4,583.33	£5,500.00
A80212	R599 D/T In Hull Low-High Hi Performance 3KW Transducer	£4,583.33	£5,500.00
A80213	R599 D/T In Hull Low-Medium Hi Performance 3KW Transducer	£4,875.00	£5,850.00
CP470/CP570 ACCESSORIES			
A102146	CP470/CP570 Y-Cable	£50.00	£60.00
A102148	CP470/CP570 3m Transducer Extension Cable	£50.00	£60.00
A102150	CP470/CP570 5m Transducer Extension Cable	£58.33	£70.00
A80327	CP470/CP570 10m Transducer Extension Cable	£108.33	£130.00
A80328	Single B75/B175 Operation Cable	£58.33	£70.00
A80345	CP470-CP570 Speed-Temp Y-Cable	£58.33	£70.00
A80346	CP370/CP470/CP570 Power Cable (also for C-and E-Classic Series MFD and M1xx/M2xx thermal camera)	£33.33	£40.00



CP470 / CP570: IN THE BOX



1. Sonar module
2. 1.5 m (5 ft) power cable
3. No.8 fixing screws
4. Documentation pack
5. 2 m (6.56 ft) RayNet (Female) to RayNet (Female) network cable



QUANTUM RADAR



SAILING

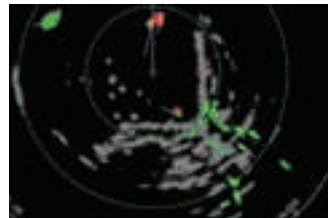
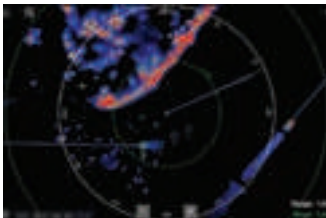


CRUISING



FISHING

Day and night, radar systems from Raymarine keep you aware of surrounding traffic, hazards and obstacles, approaching weather and so much more. Use your radar to navigate in dense fog or rain. Confirm your boat's position with super-accurate radar ranges. Let MARPA help you navigate safely through a crowded harbour. Enjoy map-like coastal detail when cruising offshore. Raymarine offers a wide range of radar solutions for all types and sizes of boats.



Compact Performance

Quantum radars use solid-state CHIRP pulse compression technology to deliver superior target awareness at both long and extremely short ranges. FLIR's exclusive ATX™ advanced target separation technology displays targets like boats, buoys, and landmarks with exceptional resolution and separation quality.

Energy Efficient

Quantum radars solid-state technology consumes very little power, making Quantum especially friendly to vessels running on battery power. Solid-state radar technology also generates very low radiated emissions.

Quantum 2 with Doppler

Quantum 2 with Doppler elevates your awareness by detecting radar frequency shifts returned by moving versus stationary targets. Quantum 2 then colour codes inbound targets red (dangerous) and outbound targets green (safe), making it easy to discern potentially hazardous situations when navigating in high-traffic areas.

Simple Installation

With every Raymarine Quantum system, you'll also benefit from a rugged and lightweight design that is easy to install. Quantum 2 can be installed in a traditionally wired configuration, or use built-in Wi-Fi technology to connect directly to your Raymarine MFD.

NEW

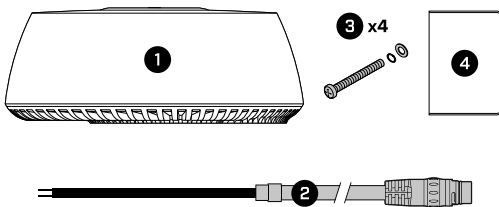
Quantum is now available in black.

QUANTUM RADAR

PART NO.	DESCRIPTION	RRP EX. VAT	RRP INC. VAT
Radar			
QUANTUM, PULSE COMPRESSED CHIRP RADAR			
E70344	Quantum 18" Q24W (WiFi Model only) w/ 10m Power Cable	£1,579.17	£1,895.00
E70210	Quantum Q24C 18" Radar with 10m Power Cable	£1,662.50	£1,995.00
T70243	Quantum Q24C 18" Radar with 10m Power and 10m Data Cable	£1,745.83	£2,095.00
T70266	Quantum Q24C 18" Radar with 15m Power and 15m Data Cable	£1,787.50	£2,145.00
QUANTUM 2 DOPPLER, PULSE COMPRESSED CHIRP RADAR			
E70498	Quantum Q24D Doppler 18" Radar with no Power or Data Cable	£1,995.83	£2,395.00
T70416	Quantum Q24D Doppler 18" Radar with 10m Power Cable and 10m Data Cable	£2,037.50	£2,445.00
T70417	Quantum Q24D Doppler 18" Radar with 15m Power Cable and 15m Data Cable	£2,079.17	£2,495.00
BLACK QUANTUM 2 DOPPLER, PULSE COMPRESSED CHIRP RADAR			
E70498-B	Black Quantum Q24D Doppler 18" Radar with no Power or Data Cable	£2,162.50	£2,595.00
T70549	Black Quantum Q24D Doppler 18" Radar with 10m Power Cable and 10m Data Cable	£2,204.17	£2,645.00
T70550	Black Quantum Q24D Doppler 18" Radar with 15m Power Cable and 15m Data Cable	£2,245.83	£2,695.00
QUANTUM CABLES			
A80274	Quantum Data Cable 5m with Raynet connector	£79.17	£95.00
A80275	Quantum Data Cable 10m with Raynet Connector	£112.50	£135.00
A80310	Quantum Data Cable 15m with Raynet Connector	£175.00	£210.00
A80311	Quantum Data Cable 25m with Raynet Connector	£279.17	£335.00
A80309	Quantum Power Cable 10m with bare wires	£62.50	£75.00
A80369	Quantum Power Cable 15m with bare wires	£87.50	£105.00
A80308	Quantum Power-Data Adapter Cable	£45.83	£55.00

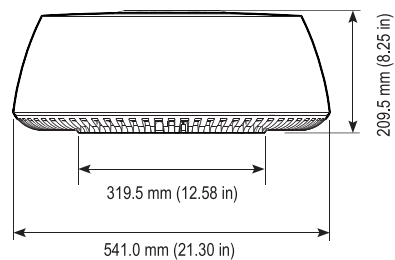


QUANTUM / QUANTUM 2: IN THE BOX



1. Quantum™ Radome
2. 10 m (32.8 ft.) Power cable
3. M8 mounting bolts with spring washers and flat washers
4. Documentation pack (including mounting template)

← (mm / in.) →



MAGNUM RADAR



SAILING



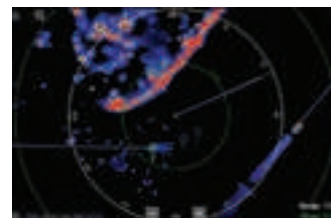
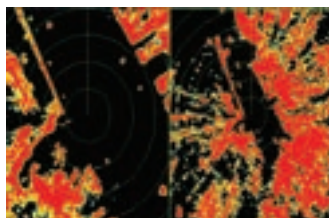
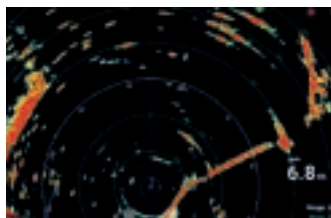
CRUISING / WORKBOAT/
LAW ENFORCEMENT



FISHING

Magnum Open Arrays

Magnum™ high-performance open array radars bring long-range performance and enhanced small target radar imaging to Raymarine multifunction navigation displays. Employing many of the same radar technologies trusted by the United States Coast Guard, Magnum offers intelligent target tracking and reliable performance, all packaged in a sleek open array pedestal built to withstand the elements.



Long Range Performance

Magnum is available in 4kW or 12kW power output options and with either a four-foot or six-foot antenna array option. Magnum radars offer a maximum range up to 96nm for 12kW models – ideal for blue water vessels – and up to 72nm for 4kW models.

Choice of the Pros

Magnum radars are built upon the same radar technology Raymarine provides to the United States Coast Guard, so you can trust Magnum to deliver with professional features like beam sharpening technology for enhanced detail and bearing resolution. Combine Magnum with Axiom and take advantage of True Trails target history display and real-time heading updates.

Essential Coastal Cruising Tools

Magnum radars feature dual-range scanning enabling them to work simultaneously at a short range scale for collision avoidance and a long range scale for coastal navigation. Magnum also has automatic 24 or 48 RPM antenna rotation speed for faster updates when tracking contacts at close range.

Enhanced Target Awareness

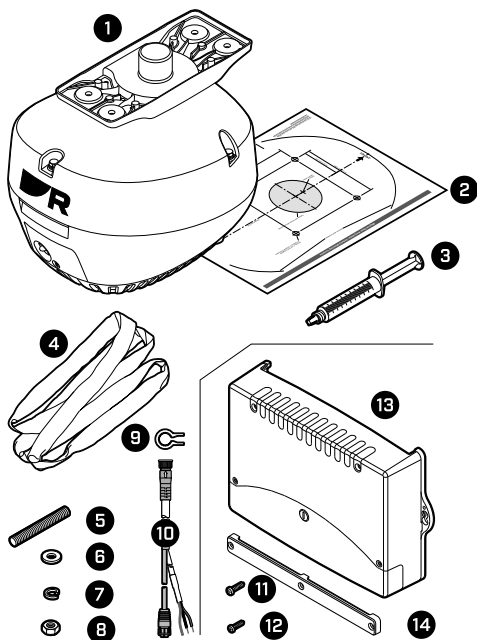
Magnum delivers better situational awareness with fully automatic MARPA target acquisition and tracking. Magnum also makes use of Raymarine's Evolution or AR200 9-axis heading sensor technology to provide real-time, accurate target plots.

MAGNUM RADAR

PART NO.	DESCRIPTION	RRP EX. VAT	RRP INC. VAT
Radar			
HD COLOR RADOME RADAR SCANNERS			
E92142	4kW 18" (456mm) HD Color Radome no Cable	£2,204.17	£2,645.00
T70168	4kW 18" (456mm) HD Color Radome + 10m Raynet Cable	£2,245.83	£2,695.00
E92143	4kW 24" (608mm) HD Color Radome no Cable	£2,704.17	£3,245.00
T70169	4kW 24" (608mm) HD Color Radome + 10m Raynet Cable	£2,745.83	£3,295.00
MAGNUM OPEN ARRAY ANTENNA PACKS			
T70408	4kW Magnum with 4ft Open Array and 15m RayNet Radar Cable	£5,120.83	£6,145.00
T70410	4kW Magnum with 6ft Open Array and 15m RayNet Radar Cable	£5,537.50	£6,645.00
T70412	12kW Magnum with 4ft Open Array and 15m RayNet Radar Cable	£6,370.83	£7,645.00
T70414	12kW Magnum with 6ft Open Array and 15m RayNet Radar Cable	£7,037.50	£8,445.00
MAGNUM OPEN ARRAY COMPONENTS			
E70484	Magnum 4kW Pedestal including VCM100	£3,916.67	£4,700.00
E70487	Magnum 12kW Pedestal including VCM100	£5,166.67	£6,200.00
E70490	Magnum 4ft Open Array	£1,291.67	£1,550.00
E70491	Magnum 6ft Open Array	£1,708.33	£2,050.00
E52091	VCM100 – Voltage Converter Module (spare)	£354.17	£425.00



MAGNUM PEDESTAL : IN THE BOX

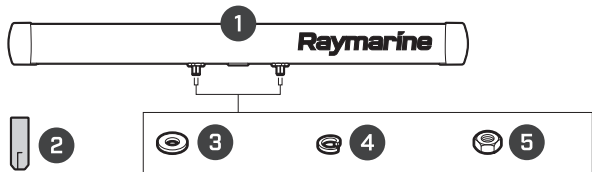


1. Pedestal
2. Mounting template
3. Denso paste
4. Lifting sling
5. Stud
6. Plain washer
7. Spring washer
8. Nut
9. Cable tightening tool
10. Radar-to-'RayNet & power' cable (15 m)
11. VCM100 mounting screw
12. VCM100 cable clamp mounting screw
13. VCM100 Voltage Converter Module
14. VCM100 cable clamp

MAGNUM RADAR

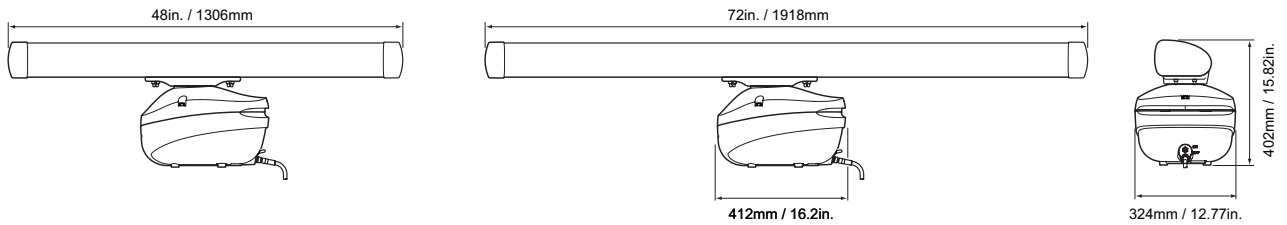


MAGNUM ARRAY : IN THE BOX



1. Antenna (4 ft or 6 ft — 4 ft illustrated)
2. Threaded alignment guide
3. Washer
4. Spring washer
5. Nut

← (mm / in.) →



PART NO.	DESCRIPTION	RRP EX. VAT	RRP INC. VAT
----------	-------------	-------------	--------------

RADAR SCANNER CABLES

A80227	5m Digital Radar Cable with Raynet Connector	£125.00	£150.00
A80228	10m Digital Radar Cable with Raynet Connector	£175.00	£210.00
A80229	15m Digital Radar Cable with Raynet Connector	£237.50	£285.00
A80230	25m Digital Radar Cable with Raynet Connector	£345.83	£415.00
A55076D	5m Digital Radar Cable (RJ45 Connector)	£133.33	£160.00
A55077D	10m Digital Radar Cable (RJ45 Connector)	£175.00	£210.00
A55078D	15m Digital Radar Cable (RJ45 Connector)	£204.17	£245.00
A55079D	25m Digital Radar Cable (RJ45 Connector)	£354.17	£425.00
A92141D	2.5m Digital Radar Extension Cable	£70.83	£85.00
A55080D	5m Digital Radar Extension Cable	£137.50	£165.00
A55081D	10m Digital Radar Extension Cable	£179.17	£215.00
A80160	RayNet (F) to SeaTalkHS (F) adaptor - 400mm	£54.17	£65.00

CYCLONE RADAR



CRUISING / WORKBOAT/
LAW ENFORCEMENT



FISHING

Cyclone Solid-State Open Array Radar

Cyclone radars are the ultimate expression of design, rugged performance, and unmatched situational awareness. Tackle the harshest conditions with the confidence of Cyclone's solid-state CHIRP pulse compression technology and aircraft wing-inspired design. Each model features innovative detection capabilities, including Cyclone Bird Mode, RangeFusion™ technology, and high-speed 60 rpm imaging.

Engineered for Extremes

The aircraft-wing-inspired design delivers a best-in-class 100-knot wind rating and meets the commercial grade IEC 62388 standard for ship borne radar.

Real-Time Target Tracking

Fast 60 RPM rotational speed delivers 360 degrees of awareness and accurate target tracks in real-time.

Safer Navigation with Doppler

Doppler target tracking simplifies the interpretation of dangerous and safe targets for added safety.

Professional grade ARPA

Cyclone automatically tracks up to 50 targets using the same advanced ARPA technology trusted by the United States Coast Guard.

RangeFusion™ Technology

Cyclone combines short and long pulses into a single high clarity radar image, simultaneously delivering exceptional short-range and long-range targets.

Enhanced Cyclone Bird Mode

Cyclone CHIRP pulse compression technology intelligently optimizes gain and tune settings for imaging distant sea birds.

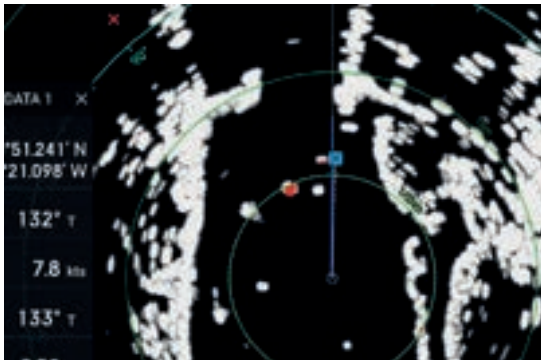
Three Array Size Options

4- and 6-foot options deliver superior target separation and range, while the 3-foot array provides open array performance in tight spaces.

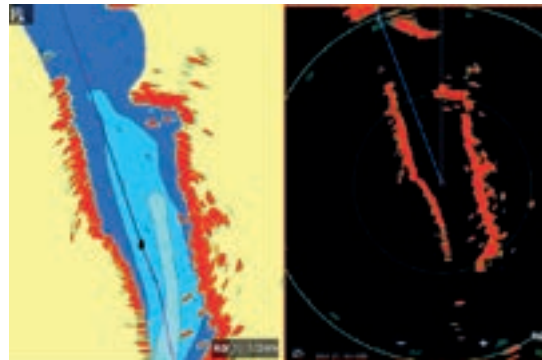
Two Power Output Options

The base model Cyclone operates at 55 Watts. Step up to improved weather and long-range performance with 110 Watt Cyclone Pro.

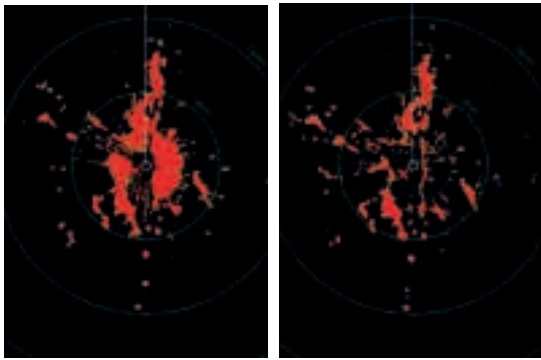
CYCLONE RADAR



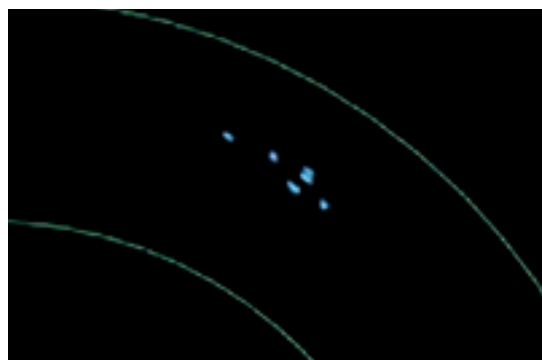
Doppler Target Tracking



Precise shore line detail and long range target separation



RangeFusion combines short and long pulses into single image

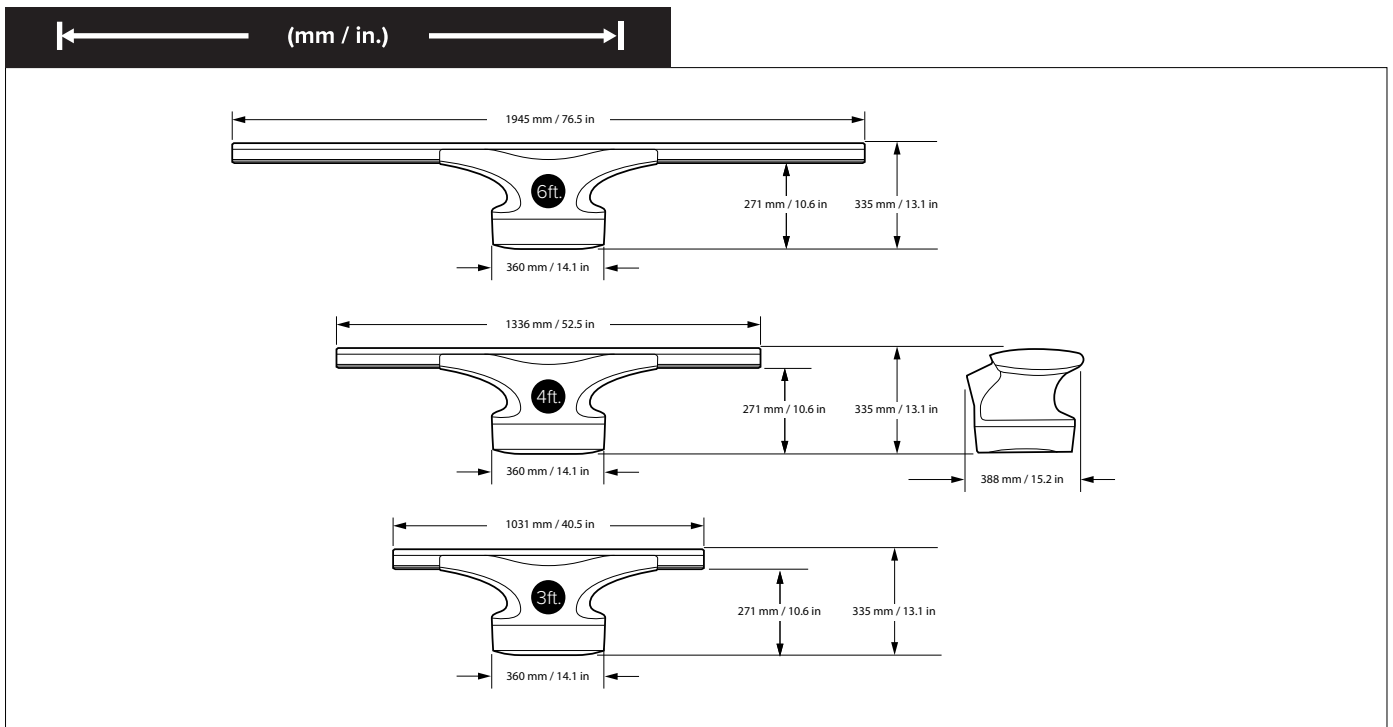


Performance tuned for locating sea birds

PART NO.	DESCRIPTION	RRP EX. VAT	RRP INC. VAT
Radar			
CYCLONE OPEN ARRAY ANTENNA PACKS			
T70491	Cyclone 55 Watts 3ft Open Array Radar with 15m Cables	£5,829.17	£6,995.00
T70492	Cyclone 55 Watts 4ft Open Array Radar with 15m Cables	£6,245.83	£7,495.00
T70493	Cyclone 55 Watts 6ft Open Array Radar with 15m Cables	£6,662.50	£7,995.00
T70494	Cyclone Pro 110 Watts 3ft Open Array Radar with 15m Cables	£7,079.17	£8,495.00
T70495	Cyclone Pro 110 Watts 4ft Open Array Radar with 15m Cables	£7,495.83	£8,995.00
T70496	Cyclone Pro 110 Watts 6ft Open Array Radar with 15m Cables	£7,912.50	£9,495.00
CYCLONE OPEN ARRAY COMPONENTS			
E70620	Cyclone Radar Pedestal 55 Watts	£3,995.83	£4,795.00
E70621	Cyclone Pro Radar Pedestal 110 Watts	£5,245.83	£6,295.00
E70628	Cyclone 3ft Open Array	£1,829.17	£2,195.00
E70629	Cyclone 4ft Open Array	£2,245.83	£2,695.00
E70630	Cyclone 6ft Open Array	£2,662.50	£3,195.00
CYCLONE OPEN ARRAY CABLES			
A80651	Cyclone Power Cable 5M	£108.33	£130.00
A80652	Cyclone Power Cable 10M	£150.00	£180.00
A80653	Cyclone Power Cable 15M	£200.00	£240.00
A80654	Cyclone Power Cable 25M	£287.50	£345.00
A80656	Cyclone Data Cable 5m with Raynet connector	£108.33	£130.00
A80657	Cyclone Data Cable 10m with Raynet Connector	£150.00	£180.00
A80658	Cyclone Data Cable 15m with Raynet Connector	£200.00	£240.00
A80659	Cyclone Data Cable 25m with Raynet Connector	£287.50	£345.00

CYCLONE RADAR

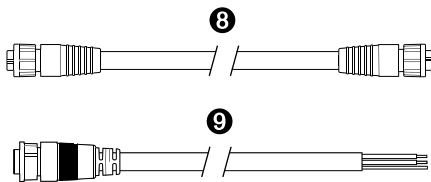
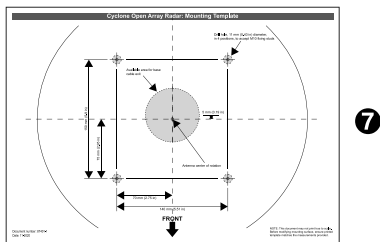
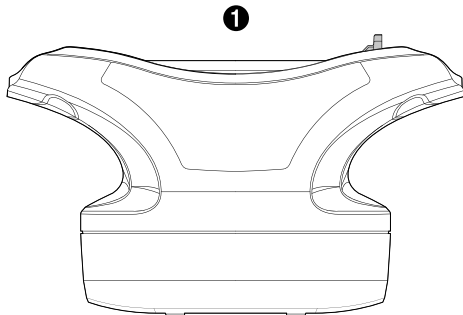
PART NO.	DESCRIPTION	RRP EX. VAT	RRP INC. VAT
Radar Accessories			
RADOME MAST MOUNTS			
A80382	Mast Mount Bracket for Quantum Radome Scanner	£329.17	£395.00
M92722	Mast Mount Bracket for 18" (456mm) Radome Scanner	£287.50	£345.00
M92698	Mast Mount Bracket for 24" (608mm) Radome Scanner	£387.50	£465.00
X10006-SCA	Radar Guard for M92722 suitable for 18" radome (not compatible with Quantum)	£204.17	£245.00
SELF LEVELLING RADOME MOUNTS			
X10000-SCA	Self levelling mast mount for 18" / 24" radome scanner	£1,295.83	£1,555.00
X10001-SCA	Self levelling backstay mount (forward mount) for 18" / 24" radome scanner	£1,495.83	£1,795.00
X10002-SCA	Self levelling backstay mount (aft mount) for 18" / 24" radome scanner	£1,470.83	£1,765.00
ACCESSORIES			
A80007	HS-5 Network Switch (Raynet)	£270.83	£325.00
A80731	RNS5 Gigabit Raynet Network Switch	£329.17	£395.00
A80732	RNS8 Gigabit Raynet Network Switch with 4 x POE ports	£829.17	£995.00
A80162	RayNet (M) to RayNet (M) cable - 100mm	£54.17	£65.00
A80160	RayNet (F) to SeaTalkHS (F) adaptor - 400mm	£54.17	£65.00
E55060	SeaTalkHS Crossover Coupler	£33.33	£40.00
4115028	Weather proof Ethernet coupler	£16.67	£20.00
E70096	Evolution EV1 Sensor Core	£770.83	£925.00



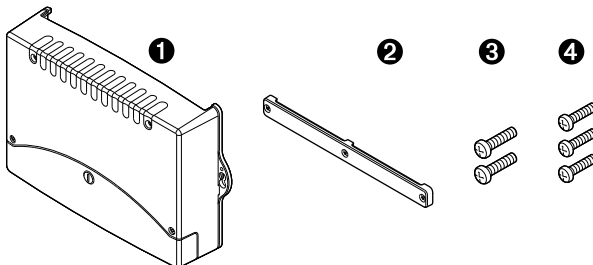
CYCLONE RADAR



CYCLONE: IN THE BOX

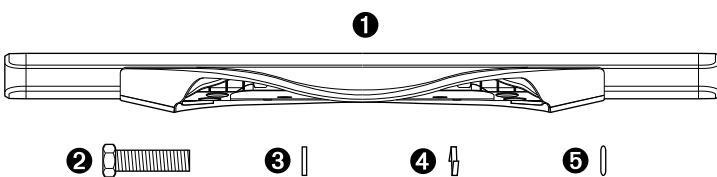


1. Pedestal
2. M10 Stud x4
3. M10 Nut x8
4. M10 Spring Washer x4
5. M10 Plain washer x4
6. Mounting gasket
7. Mounting template
8. Radar data cable
9. Power cable



1. VCM100
2. Cable clamp
3. VCM100 mounting screw x2
4. Cable clamp mounting screw x3

NOTE: The VCM100 is included with the Cyclone pedestal assembly



1. Antenna
2. Threaded alignment guide
3. Washer
4. Spring washer
5. Nut

AUTOPILOTS



SAILING



CRUISING

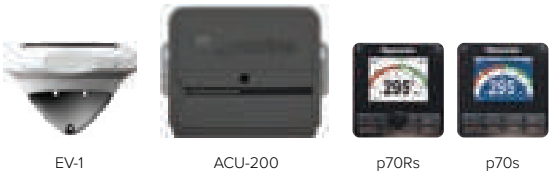


FISHING

The culmination of Raymarine's' autopilot expertise and advanced aerospace guidance technology, Evolution Autopilots, delivers a new level of precision steering control. Each Evolution Autopilot system consists of the following components: an Evolution 9-axis sensor core, an actuator control unit (ACU), a drive mechanism, and a control head.

EV-200 INBOARD

The EV200 system pack controls vessels with any Type 1 drive unit (Hydraulic, Linear, Sail or Power).



EV-1

ACU-200

p70Rs

p70s



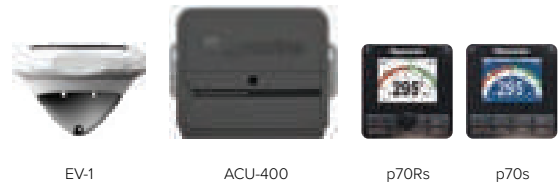
Type 1 Linear Drive

Type 1 Rotary Drive

Type 1 Hydraulic Pump

EV-400 INBOARD

The EV400 pack controls vessels with any Type 1 to Type 3 mechanical or hydraulic drive units.



EV-1

ACU-400

p70Rs

p70s



Type 1/2 Linear Drive

Type 1/2 Rotary Drive

Type 1/2/3 Hydraulic Pump



EV-2

p70Rs

EV-200 DRIVE-BY-WIRE INBOARD

EV-2 has been designed for the latest drive-by-wire steering systems and connects directly to Raymarine's SeaTalk^{NG} bus.

Includes: Volvo; Teleflex Optimus; Xenta; Yamaha and more.



EV-1

ACU-300

p70Rs

EV-300 SOLENOID INBOARD

The EV300 system is for use with electric solenoids that control the vessels hydraulic steering system.

AUTOPILOTS

INBOARD AUTOPILOTS							
Drive Units	RAM Capacity cc / cu in (Hydraulic)	Vessel Displacement kg / lbs	Autopilot Control Unit				
			EV-100	EV150	EV-200	EV-300	EV-400
Type 0.5L Hydraulic Pump	50–125 / 3–7.6	NA	●	●			
Type 1 Hydraulic Pump	80–230 / 4.9–14	NA		●	●		
Type 1 Mechanical Rotary / Linear Drives		11,000 / 24,000			●		
Type 1 Universal Stern Drives		NA			●		
Type 2 Hydraulic Pump	230–350 / 14–21	NA					●
Type 3 Hydraulic Pump	350–500 / 21–30.5	NA					●
Type 2 Hydraulic Linear		22,000 / 48,000					●
Type 3 Hydraulic Linear		35,000 / 77,000					●
Type 2 Short Mechanical Linear Drives		15,000 / 33,000					●
Type 2 Long Mechanical Linear Drives		20,000 / 44,000					●
Type 2 Mechanical Rotary Drives		20,000 / 44,000					●
Solenoid Drive Units		NA				●	
ZF Saildrive Systems		NA					●



EV-100 WHEEL

The EV-100 wheel pilot comprises a fully enclosed wheel-drive for simple installation and superb autopilot performance.



EV-100 TILLER

The Raymarine EV-100 Tiller Pilots are perfect for large tiller steered yachts up to 6,000kg (13,200 lbs) displacement.



EV-100/EV-150 POWER PILOT

For single outboard powered boats with hydraulic steering, the EV-100 and EV-150 deliver perfect steering using Raymarine's exclusive Hydro-Balance™ technology.

COCKPIT AUTOPILOTS						
Cockpit Pilot Description	Maximum Displacement	Vessel Type	Pack Contents			
			EV	ACU	Control Head	Drive
EV-100 Wheel	7,500kg (16,000lbs)	Sail	EV-1	ACU-100	p70s	Wheel Drive
EV-100 Tiller	6,000kg (13,200lbs)	Sail	EV-1	ACU-100	p70s	Tiller Drive

Remember to always take the fully laden displacement weight of your vessel into account (often 20% above the designed displacement).

AUTOPILOTS

PART NO.	DESCRIPTION	RRP EX. VAT	RRP INC. VAT
Autopilot			
EVOLUTION SYSTEM PACKS WITH DRIVES, NO CONTROL HEAD			
T70248	Evolution Wheel Pilot, ACU-100, EV1 Sensor Core, EV1 Cabling kit & Wheel Drive. Note MFD or autopilot control head is required	£1,245.83	£1,495.00
T70249	Evolution Tiller Pilot, ACU-100, EV1 Sensor Core, EV1 Cabling kit & Tiller Drive. Note MFD or autopilot control head is required	£1,245.83	£1,495.00
T70250	Evolution Hydraulic Pilot, ACU-100, EV1 Sensor Core, EV1 Cabling kit & 0.5l hydraulic pump. Note MFD or autopilot control head is required	£1,245.83	£1,495.00
EVOLUTION SYSTEM PACKS WITH DRIVES			
T70154	Evolution Hydraulic Pilot with p70Rs control head, ACU-100, EV1 Sensor Core, EV1 Cabling kit & 0.5 litre 12v Hydraulic Pump	£1,495.83	£1,795.00
T70153	Evolution Tiller Pilot with p70s control head, ACU-100, EV1 Sensor Core, EV1 Cabling kit & Tiller Drive	£1,495.83	£1,795.00
T70152	Evolution Wheel Pilot with p70s control head, ACU-100, EV1 Sensor Core, EV1 Cabling kit & Wheel Drive	£1,495.83	£1,795.00
T70330	Evolution Hydraulic Pilot with p70Rs control head, ACU-150, EV1 Sensor Core, EV1 Cabling kit & 1.0 litre 12v Hydraulic Pump	£1,912.50	£2,295.00
T70157	Evolution Hydraulic Pilot with p70Rs control head, ACU-200, EV1 Sensor Core, EV1 Cabling kit & 1.0 litre 12vdc Hydraulic Pump	£2,329.17	£2,795.00
T70158	Evolution Autopilot with p70s control head, ACU-200, EV1 Sensor Core, EV1 Cabling kit & Type 1 Mechanical Linear drive	£2,745.83	£3,295.00
EVOLUTION SYSTEM PACKS			
T70281	Evolution Autopilot with p70s control head & ACU-100, EV1 Sensor Core, EV1 Cabling kit (suitable for 0.5l Hydraulic, Wheel & Tiller drives)	£1,245.83	£1,495.00
T70407	Evolution Autopilot with p70Rs control head & ACU-150, EV1 Sensor Core, EV1 Cabling kit (suitable for 1.0l 12v Hydraulic Pump)	£1,412.50	£1,695.00
T70155	Evolution Autopilot with p70s control head & ACU-200, EV1 Sensor Core, EV1 Cabling kit (suitable for Type 1 drives)	£1,912.50	£2,295.00
T70156	Evolution Autopilot with p70Rs control head & ACU-200, EV1 Sensor Core, EV1 Cabling kit (suitable for Type 1 drives)	£1,912.50	£2,295.00
T70160	Evolution Solenoid Autopilot with p70Rs control head & ACU-300, EV1 Sensor Core, EV1 Cabling kit (suitable for Solenoid drives)	£2,329.17	£2,795.00
T70164	Evolution DBW Autopilot with p70Rs control head, EV2 Sensor Core, EV2 Cabling kit (suitable for drive by wire steering systems)	£2,329.17	£2,795.00
T70214	Evolution DBW Autopilot with p70Rs control head, EV2 Sensor Core, EV2 Cabling kit (direct Volvo IPS /Aquamatic system connection)	£2,495.83	£2,995.00
T70580	Evolution DBW Autopilot with p70Rs control head, EV2 Sensor Core, EV2 Cabling kit & Volvo Gateway (direct Volvo IPS /Aquamatic system connection)	£3,329.17	£3,995.00
T70161	Evolution Autopilot with p70s control head & ACU-400, EV1 Sensor Core, EV1 Cabling kit (suitable for Type 2 & 3 drives)	£2,495.83	£2,995.00
T70162	Evolution Autopilot with p70Rs control head & ACU-400, EV1 Sensor Core, EV1 Cabling kit (suitable for Type 2 & 3 drives)	£2,495.83	£2,995.00
AUTOPILOT CONTROL UNIT			
E70328	p70s Autopilot Control Head (Sail)	£579.17	£695.00
E70329	p70Rs Autopilot Control Head (Power)	£579.17	£695.00
A80532	Autopilot Follow-On Tiller Steer Control Head (Standby - Power Steer - Standby)	£579.17	£695.00
A80602	Autopilot Follow-On Tiller Steer Control Head (Auto - Power Steer - Auto)	£579.17	£695.00
EVOLUTION COMPONENTS			
E70096	Evolution EV1 Sensor Core	£770.83	£925.00
E70097	Evolution EV2 Sensor Core	£1,875.00	£2,250.00
E70098	ACU-100 Actuator Control Unit	£495.83	£595.00
E70430	ACU-150 Actuator Control Unit	£662.50	£795.00
E70099	ACU-200 Actuator Control Unit	£829.17	£995.00
E70139	ACU-300 Actuator Control Unit	£1,704.17	£2,045.00
E70100	ACU-400 Actuator Control Unit	£1,787.50	£2,145.00

AUTOPILOTS

PART NO.	DESCRIPTION	RRP EX. VAT	RRP INC. VAT
EVOLUTION ACCESSORIES			
R70160	Evolution Cabling Kit	£187.50	£225.00
R70192	Evolution Cabling Kit EV-2	£87.50	£105.00
R70161	Evolution EV-unit seal pack	£29.17	£35.00
R70162	Evolution EV-unit wall bracket	£50.00	£60.00
A80437	RS150/MicroTalk Puck Clamshell Riser Mounting Kit	£33.33	£40.00
E15023	SmartController Wireless Autopilot Remote complete with Base Station	£537.50	£645.00
E15024	S100 Wireless Autopilot Remote Complete with Base Station	£412.50	£495.00
A18104	S100 Controller only	£266.67	£320.00
A18105	Smart Controller only	£433.33	£520.00
A18106	Base Station	£208.33	£250.00
A80355	Black Bezel for i50/i60/70/Pilots (eS / AXIOM style)	£20.83	£25.00
R70663	Black Suncover i50/i60/i70/p70/i70s/p70s (eS / AXIOM style)	£20.83	£25.00
R70664	Black Suncover for p70R/p70Rs (eS / AXIOM style)	£20.83	£25.00
A80356	Gunmetal Bezel for i50/60/70/Pilots (eS series style)	£20.83	£25.00
A80357	Grey Suncover i50/i60/i70/p70/i70s/p70s (eS series style)	£20.83	£25.00
A80358	Grey Suncover for p70R/p70Rs (eS series style)	£20.83	£25.00
R70368	Black Bezel for i50/60/70/Pilots (a, c, e series style)	£20.83	£25.00
R22168	Gunmetal Bezel for i50/60/70/Pilots (a, c, e series style)	£20.83	£25.00
R22169	i50 / i60 / i70 / p70 Suncover (a, c, e, series style)	£20.83	£25.00

AUTOPILOTS

PART NO.	DESCRIPTION	RRP EX. VAT	RRP INC. VAT
Autopilot			
ENGINE CONTROL INTERFACE & ACCESSORIES			
E70227	ECI-100 Universal Engine and Control Interface	£312.50	£375.00
A80649	Volvo Penta Gateway	£1,245.83	£1,495.00
E70240	Volvo Engine EVC Link Cable (1M)	£79.17	£95.00
E70241	Volvo Engine Y-Loom cable	£79.17	£95.00
E70242	Yamaha Command-Link Cable 1M	£79.17	£95.00
E70305	Caterpillar Engine 12 Pin Link Cable (400mm)	£79.17	£95.00
E70260	NMEA 2000 Devicenet male to Devicenet female cable (2m)	£79.17	£95.00
ROTARY DRIVE UNITS			
M81135	Type 1/12v Rotary Drive	£1,579.17	£1,895.00
M81136	Type 2/12v Rotary Drive	£1,662.50	£1,995.00
M81137	Type 2/24v Rotary Drive	£1,745.83	£2,095.00
HYDRAULIC PUMPS			
E12139	Type 0.5/12v Hydraulic Pump	£645.83	£775.00
M81120	Type 1/12v Hydraulic Pump	£729.17	£875.00
M81121	Type 2 /12v Hydraulic Pump	£812.50	£975.00
M81122	Type 3/12v Hydraulic Pump	£995.83	£1,195.00
M81119	Type 1/24v Hydraulic Pump	£770.83	£925.00
M81123	Type 2/24v Hydraulic Pump	£895.83	£1,075.00
M81124	Type 3/24v Hydraulic Pump	£1,079.17	£1,295.00
HYDRAULIC LINEAR DRIVES			
E12207	Type 2/12v Hydraulic Linear Drive	£2,995.83	£3,595.00
E12208	Type 2/24v Hydraulic Linear Drive	£2,995.83	£3,595.00
M81202	Type 3/12v Hydraulic Linear Drive	£3,412.50	£4,095.00
M81203	Type 3/24v Hydraulic Linear Drive	£3,412.50	£4,095.00
MECHANICAL LINEAR DRIVE UNITS			
M81130	Type 1/12v Short Shaft Linear Drive	£1,704.17	£2,045.00
M81131	Type 2/12v Short Shaft Linear Drive	£1,912.50	£2,295.00
M81132	Type 2/12v Long Shaft Linear Drive	£1,870.83	£2,245.00
M81133	Type 2/24v Short Shaft Linear Drive	£1,870.83	£2,245.00
M81134	Type 2/24v Long Shaft Linear Drive	£1,954.17	£2,345.00
ACCESSORIES			
D228	Linear Feedback Fittings Pack	£70.83	£85.00
D250	ST Steel Rudder Reference Ball Pin	£41.67	£50.00
M81166	D.P. Check Valve	£233.33	£280.00
M81167	Solenoid 12v	£416.67	£500.00
M81182	13 Tooth Sprocket	£95.83	£115.00
M81183	15 Tooth Sprocket	£137.50	£165.00
M81105	Rudder Angle Transducer	£262.50	£315.00

AUTOPILOTS



ST1000/ST2000 TILLER

Removable Cockpit Autopilots for Tiller Steered Yachts. Tiller pilots have consistently been the world's most popular pilot.

Recommended Maximum Displacement Raymarine ST1000: 3,000kg (6,600lbs)
 Raymarine ST2000: 4,500kg (10,000lbs) Remember to always take the fully laden displacement weight of your vessel into account (often 20% above the designed displacement).

PART NO.	DESCRIPTION	RRP EX. VAT	RRP INC. VAT
Autopilot			
TILLER PILOTS			
A12004	ST1000+ Tiller	£470.83	£565.00
A12005	ST2000+ Tiller	£566.67	£680.00
COCKPIT ACCESSORIES - TILLER			
A80737	EV100 Tiller Drive including Installation Kit	£791.67	£950.00
D001	Tiller Pin (2 per Pack)	£25.00	£30.00
D002	Mounting Socket (2 per Pack)	£41.67	£50.00
D003	Pushrod Extension 25mm (1")	£33.33	£40.00
D004	Pushrod Extension 51mm (2")	£33.33	£40.00
D005	Pushrod Extension 76mm (3")	£33.33	£40.00
D006	Pushrod Extension 102mm (4")	£37.50	£45.00
D007	Pushrod Extension 127mm (5")	£33.33	£40.00
D008	Pushrod Extension 153mm (6")	£37.50	£45.00
D009	Tiller Bracket 25mm (1")	£54.17	£65.00
D010	Tiller Bracket 51mm (2")	£54.17	£65.00
D011	Tiller Bracket 76mm (3")	£50.00	£60.00
D159	Tiller Bracket 102mm (4")	£58.33	£70.00
D160	Tiller Bracket 127mm (5")	£58.33	£70.00
D337	ST1/2000+ Tiller Pilot Plug	£41.67	£50.00
D338	ST1/2000+ Tiller Pilot Socket	£54.17	£65.00
D339	ST1/2000+ Tiller Pilot Plug and Socket	£79.17	£95.00
D026	Pedestal Assembly 38mm (1.5")	£79.17	£95.00
D027	Pedestal Assembly 51mm (2")	£79.17	£95.00
D028	Pedestal Assembly 64mm (2.5")	£79.17	£95.00
D029	Pedestal Assembly 76mm (3")	£79.17	£95.00
D030	Pedestal Assembly 89mm (3.5")	£79.17	£95.00
D031	Cantilever Socket Assembly	£87.50	£105.00
G004	Tiller Arm End Cap	£20.83	£25.00
COCKPIT ACCESSORIES - WHEEL			
E12093	Wheel Drive (inc. Fitting Kit)	£620.83	£745.00
E15017	Wheel Drive Flat Pedestal Kit	£66.67	£80.00
E15018	Wheel Drive GOIOT Installation Kit	£66.67	£80.00
A18083	Replacement belt for grey Wheel drive	£54.17	£65.00

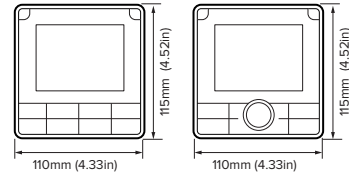
AUTOPILOTS



P70RS/P70S

1. Documentation
2. Panel seal gasket
3. 400 mm (15.7 in) SeaTalkng spur cable (A06038)
4. p70s or p70Rs Pilot controller
5. Suncover
6. Spare gunmetal bezel (A80354)
7. Mounting fixings x 4

(mm / in.)



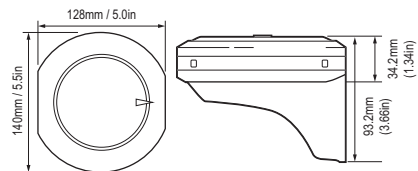
p70s / p70Rs



EV1/EV2

1. Mounting trim
2. EV-1E/V-2
3. Sealing ring
4. Mounting tray
5. Sealing ring
6. Wall mounting bracket
7. Screws for deck or bracket mounting
8. Screws for wall bracket
9. Document pack
10. 10 m(3.3ft) SeaTalk^{ng} spur cable

(mm / in.)



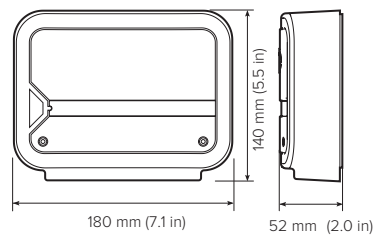
EV-1 / EV-2



ACU-100/ACU-150

1. ACU unit
2. Documentation pack
3. Screws (pan head type)
4. SeaTalk^{ng} spur to bare wires cable 1 m (3.3 ft)

(mm / in.)



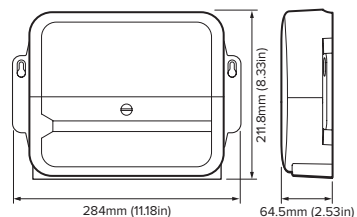
ACU-100/ACU-150



ACU-200 / 300 / 400

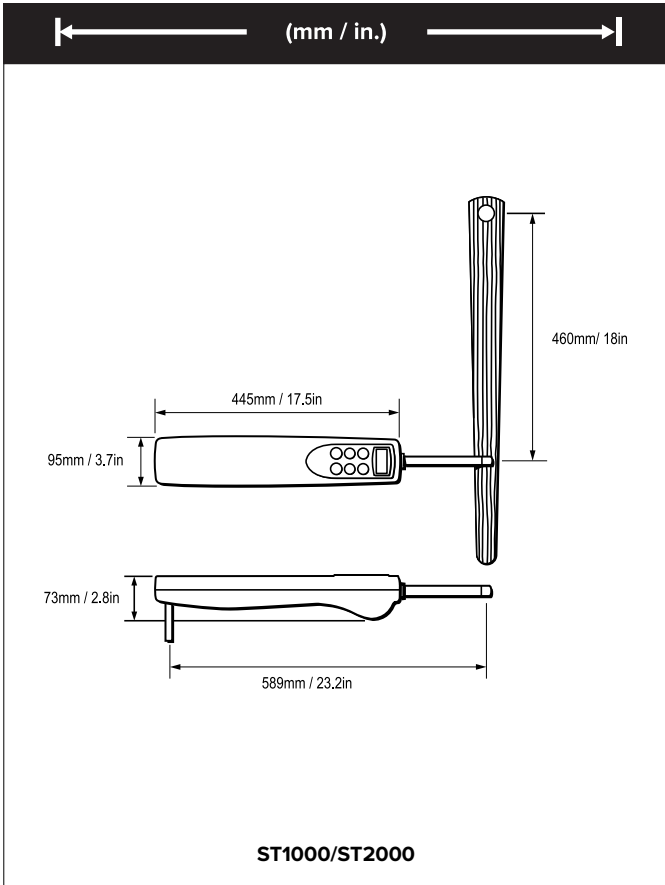
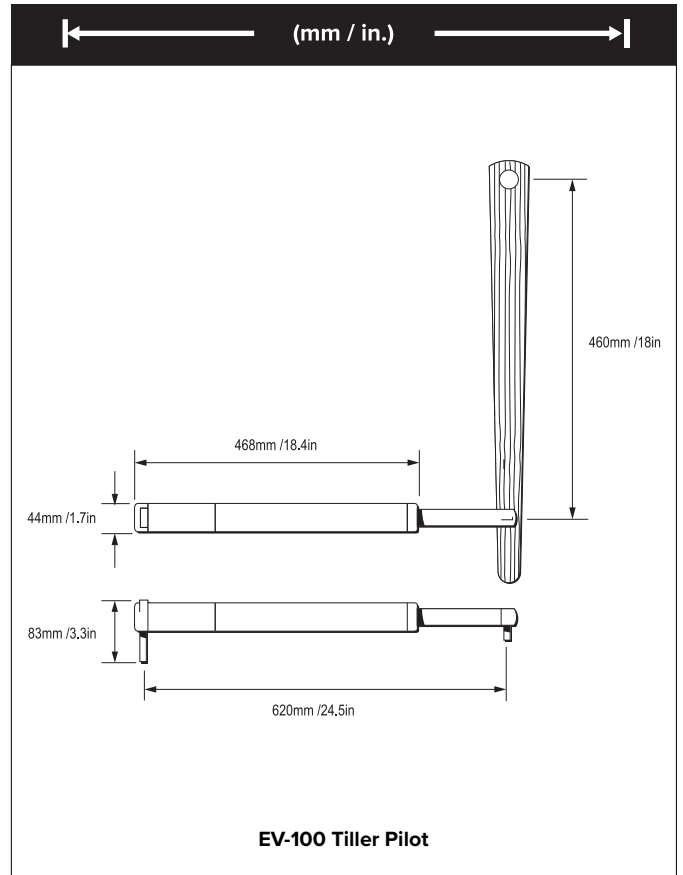
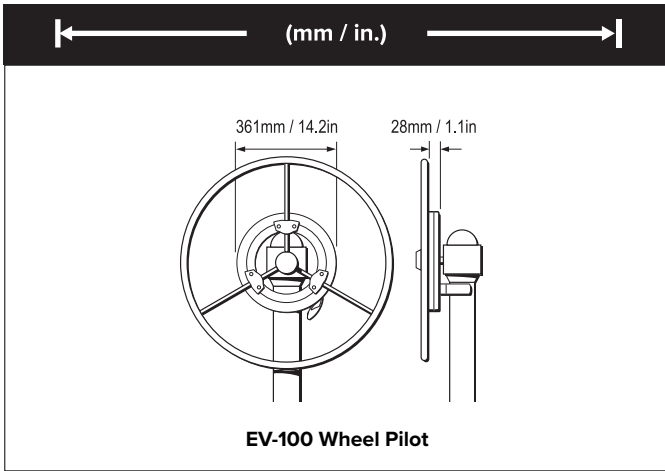
1. ACU unit
2. Rudder angle reference sensor / transducer. Not supplied with all system packs. Also available separately as M81105
3. Cable ties
4. Mounting screws
5. Document pack

(mm / in.)



ACU-200/300/400

AUTOPILOTS



ALPHA PERFORMANCE DISPLAYS



SAILING

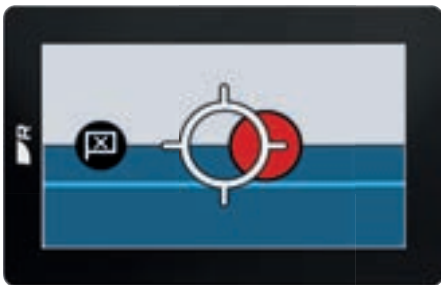
NEW

The Alpha series are high-visibility touchscreen displays with fully customisable marine instrument data and graphic displays to help you make smarter sailing decisions. Designed for helm or mast mounting, the Alpha Series is customised and controlled via its touchscreen and controlled remotely from a networked Axiom Chartplotter*.

ALPHA KEY FEATURES

- Customisable sailing, navigation, and engine instrument displays.
- SailPoint™ mode provides you with a visual reference of target wind angle, so you achieve your maximum VMG upwind or downwind.
- Polarized sunglasses-friendly displays with extra wide viewing angles, viewable on the mast or remote location.

- Tested to the extreme and built with our exclusive HydroTough™ nano-coating that repels water and oils for reliable touchscreen control.
- Landscape or portrait mounting option.
- Single power and data cable** for fewer cables running through the deck and mast.
- Support for daisy-chaining up to 4 displays.
- Auto-dimming through an integrated ambient light sensor.
- Lockable touch screen with remote control from Axiom.
- Designed to network with Axiom chartplotters for all instrument data, transducer data, and performance sailing calculations.



* The Alpha Performance Display requires a Axiom Chartplotter (on Lighthouse 4.5 software or later) connected on the Raynet network.
 ** Power and data cables not included and must be purchased separately to match the installation configuration.

ALPHA PERFORMANCE DISPLAYS

PART NO.	DESCRIPTION	RRP EX. VAT	RRP INC. VAT
Instruments			
Alpha PERFORMANCE DISPLAY			
E70649	Alpha 7" Performance Display	£995.83	£1,195.00
E70650	Alpha 9" Performance Display	£1,662.50	£1,995.00
Alpha PERFORMANCE DISPLAY ACCESSORIES			
A80752	Alpha Performance Display - 1m Power & Raynet Cable	£45.83	£55.00
A80709	Alpha Performance Display - 3m Power & Raynet Cable	£62.50	£75.00
A80753	Alpha Performance Display - 5m Power & Raynet Cable	£79.17	£95.00
A80754	Alpha Performance Display - 10m Power & Raynet Cable	£120.83	£145.00
A80710	Alpha Performance Display - 0.3m Daisy Chain Cable	£37.50	£45.00
A80747	Alpha Performance Display - 1.0m Daisy Chain Cable	£62.50	£75.00
A80711	Alpha 7" Performance Display Single Mast Bracket - Landscape	£120.83	£145.00
A80712	Alpha 7" Performance Display Dual Mast Bracket - Landscape	£204.17	£245.00
A80713	Alpha 7" Performance Display Single Mast Bracket - Portrait	£145.83	£175.00
A80714	Alpha 9" Performance Display Single Mast Bracket - Landscape	£162.50	£195.00
A80715	Alpha 9" Performance Display Dual Mast Bracket - Landscape	£245.83	£295.00
A80716	Alpha 9" Performance Display Single Mast Bracket - Portrait	£187.50	£225.00
RSW - Smart Wind TRANSDUCERS			
E70670	RSW - Smart Wind Transducer, Short Arm with 30m Cable	£662.50	£795.00



A80711

A80712

A80713

A80714

A80715

A80716

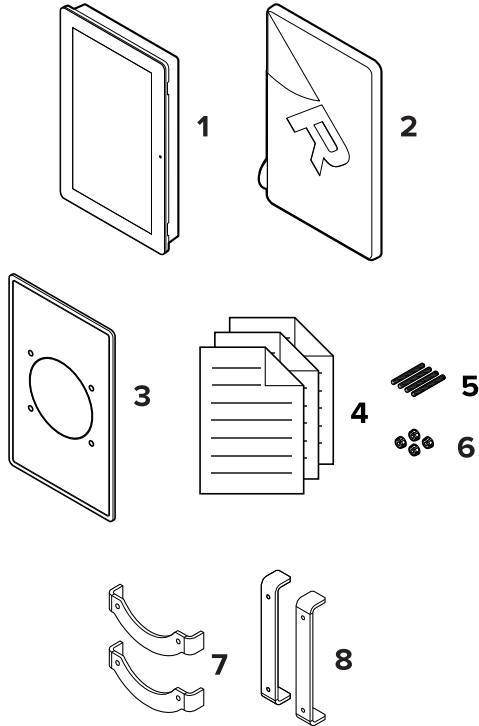
Landscape and portrait orientation mast brackets are available as accessories



ALPHA PERFORMANCE DISPLAYS

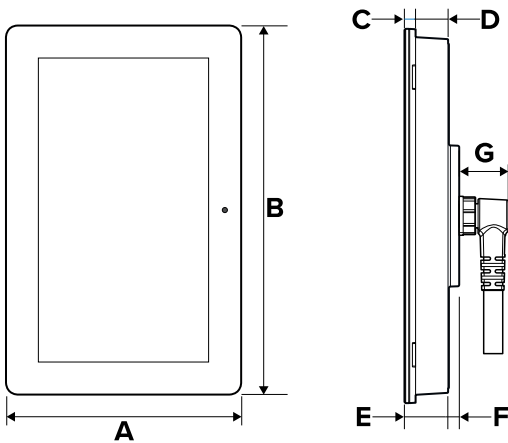


ALPHA: IN THE BOX



1. Alpha Series performance display.
2. Suncover.
3. Waterproof gasket.
4. Documentation pack.
5. 4x Threaded studs, M4 x 40 mm.
6. 4x Thumb nuts.
7. Supplied with Alpha 7 only
2x mounting brackets.
8. Supplied with Alpha 9 only
2x mounting brackets.

← (mm / in.) →



ALPHA 7	
A	118.6 mm (4.67 in)
B	188.4 mm (7.42 in)
C	7 mm (0.28 in)
D	18 mm (0.71 in)
E	25 mm (0.98 in)
F	7 mm (0.28 in)
G	30.9 mm (1.22 in)

ALPHA 9	
A	148.9 mm (5.86 in)
B	253.9 mm (9.29 in)
C	7 mm (0.28 in)
D	20.5 mm (0.81 in)
E	27 mm (1.06 in)
F	7 mm (0.28 in)
G	30.9 mm (1.22 in)

RSW WIND TRANSDUCER



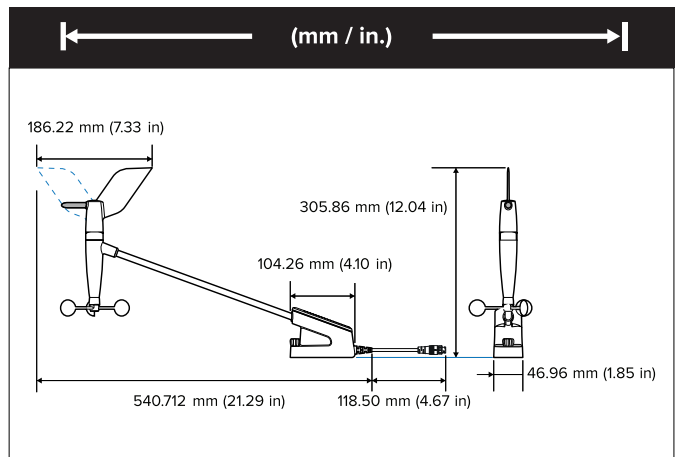
SAILING

NEW

The Raymarine RSW wind transducer is a professional-level wind sensor designed for leisure sailors. An all-new wind sensor design, the RSW transducer is engineered for simplicity and accuracy using an integrated 3D motion sensor and Raymarine Smart Wind™ technology to give every skipper a new level of sailing intelligence. The newly designed RSW wind sensor is a self-calibrating sensor that delivers ultra-precise wind speed and direction measurements. Sailors can take advantage of high accuracy, true wind, speed, and polar calculations to make more intelligent race and performance sailing decisions when it matters most.

RSW TRANSDUCER KEY FEATURES

- Experience expert-level accuracy without complicated black box processors or cumbersome calibration tables.
- Integrated 3D motion sensor (AHRS technology) accounts for vessel pitch and roll, automatically delivering improved true wind accuracy.
- Smart Wind technology delivers superior wind measurement by compensating for mast twist and bend.
- Using the 3D motion sensor, the sensor compensates for the effects of airflow and upwash against the sails, delivering stable and trusted true wind direction.
- Rotating mast compatible without any extra sensors.
- Lightweight and durable carbon fibre arm for reliable performance



INSTRUMENTS



SAILING



CRUISING



FISHING

Raymarine instruments are world renowned for accuracy, innovative features and high-performance. From the space saving i40 series to the multifunction i70s series, there are Raymarine instruments available to fit every boater's requirements.



i40 Instrument Display

Big displays for smaller powerboats, yachts and RIBs, these compact yet powerful SeaTalk instruments offer full integration with Raymarine autopilots and navigation equipment and can be surface or trunnion-mounted.

i50 Instrument Display

The i50 range consists of 3 digital displays: speed and depth displays with extra-large digits and a multi-line tridata unit. These stylish, dedicated-function instruments are the perfect solution for smaller power boats, yachts and RIBs.

i60 Instrument Display

The i60 Wind Display provides analogue and digital data and calculates apparent (relative) and true wind speed/angle.



i70s Multifunction Instrument

The new i70s Multifunction Instrument is packed full of powerful features but remains exceptionally easy to use. User-selectable data source selection allows for easy integration on multi-sensor networks.

INSTRUMENTS

PART NO.	DESCRIPTION	RRP EX. VAT	RRP INC. VAT
Instruments			
INSTRUMENTS			
E70064	i40 Depth Display	£191.67	£230.00
E70066	i40 Bidata Display	£191.67	£230.00
E70058	i50 Speed Display (Digital)	£412.50	£495.00
E70059	i50 Depth Display (Digital)	£412.50	£495.00
E70060	i50 Tridata Display (Digital)	£483.33	£580.00
E70061	i60 Wind Display (Analogue)	£437.50	£525.00
E70327	i70s Multifunction Colour Display	£525.00	£630.00
INSTRUMENT PACKS			
E70142	i40 Depth Pack, with P7 Depth Through Hull Transducer	£262.50	£315.00
E70143	i40 Depth Pack, with P66 Depth Transom Mount Transducer	£287.50	£345.00
E70145	i40 Bidata Pack, with P371 Speed/Temp & P7 Depth Through Hull Transducers	£350.00	£420.00
E70147	i50 Speed Pack, with P120 Retractable Speed/Temp Through Hull Transducer, (Replaced by T70583)	£458.33	£550.00
E70148	i50 Depth Pack, with P319 Depth Through Hull Transducer	£458.33	£550.00
E70149	i50 Tridata Pack, with P120 & P319 Speed/Temp/Depth Through Hull Transducers (Replaced by T70582)	£658.33	£790.00
E70153	i50 & i60 Wind, Speed, Depth - 3 x Instrument & 3 x Transducer Pack (Replaced by T70584)	£1,633.33	£1,960.00
E70150	i60 Wind Pack, with Short Arm Vane Transducer	£833.33	£1,000.00
T70216	i70s System Pack (i70s Colour instrument & Wind, DST bxducers, iTC-5, 3M backbone, 5 Way Connector, STng power cable & 2 backbone terminators)	£1,245.83	£1,495.00
T70542	i70s System Pack (i70s Colour instrument & Wind, Depth/Temp and Speed bxducers, iTC-5, 3M backbone, 5 Way Connector, STng power cable & 2 backbone terminators) (Replaced by T70586)	£1,245.83	£1,495.00
WIRELESS INSTRUMENT PACKS			
T70339	i60, Wireless Wind and backbone Kit (E70361, T120, T113-868, E70061, A06049, A06046, A06064, A06031, A06028)	£1,320.83	£1,585.00
T70340	i70s, Wireless Wind, DST810 and backbone Kit (E70361, T120, E70617, T113-868, E70327, A06049, A06036, A06064, A06031, A06028)	£1,587.50	£1,905.00
T70341	i70s, Wireless Wind, DST810, heading sensor and backbone Kit (E70361, T120, E70096, E70617, T113-868, E70327, A06049, A06036, A06064, A06031, A06028)	£2,029.17	£2,435.00
T70342	i70s, Wireless Vertical Wind, DST810, heading sensor and backbone Kit (E70361, T222, E70096, E70617, T113-868, E70327, A06049, A06036, A06064, A06031, A06028)	£2,912.50	£3,495.00
ITC-5 INSTRUMENT TRANSDUCER CONVERTER & WIRELESS PUCK			
E70010	iTC-5 Instrument Transducer Converter	£270.83	£325.00
E70361	Micro-Talk Puck - Micronet to SeataKNG Gateway	£250.00	£300.00
A80370	Pole Mount for RS150 GPS Antenna / Micro-Talk Puck	£29.17	£35.00
T70344	Wireless Wind Kit including Heading Sensor for STNG (E70361, T120, E70096, T113-868, A06049, A06036, A06064, A06031, A06028)	£1,370.83	£1,645.00
STNG SMART TRANSDUCERS			
A22112	DT800 12° Through Hull Depth / Temperature Smart Transducer	£312.50	£375.00
A22165	DT800 0° Through Hull Depth / Temperature Smart Transducer	£312.50	£375.00
E70667	DST810 0° Through Hull Depth / Speed / Temperature 5Hz Smart Transducer with Trim & Heal and Bluetooth Wireless connectivity (new design paddle wheel)	£354.17	£425.00
A80373	P79S In Hull Depth Smart Transducer (NMEA 2000 DeviceNet connection)	£329.17	£395.00
T70278	P79S In Hull Depth Smart Transducer (NMEA 2000 with STNG adapter cable)	£329.17	£395.00
ACCESSORIES			
R70112	i40 Sun Cover	£20.83	£25.00
A80353	Black Bezel for i70s	£20.83	£25.00
R70663	Black Suncover i50/i60/i70/p70/i70s/p70s (eS / AXIOM style)	£20.83	£25.00
A80354	Gunmetal Bezel for i70s	£20.83	£25.00
A80357	Grey Suncover i50/i60/i70/p70/i70s/p70s (eS series style)	£20.83	£25.00
A80355	Black Bezel for i50/60/70/Pilots (eS / AXIOM style)	£20.83	£25.00
R70368	Black Bezel for i50/60/70/Pilots (a, c, e series style)	£20.83	£25.00
R22168	Gunmetal Bezel for i50/60/70/Pilots (a, c, e series style)	£20.83	£25.00
R22169	i50 / i60 / i70 / p70 Suncover (a, c, e, series style)	£20.83	£25.00

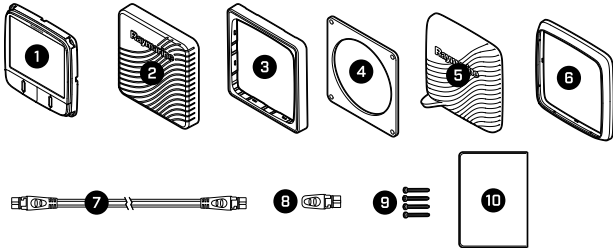
INSTRUMENTS

PART NO.	DESCRIPTION	RRP EX. VAT	RRP INC. VAT
DEPTH – TRANSDUCERS			
E26009	P7 D Shorty™ Low Profile Through Hull Transducer	£95.83	£115.00
M78713-PZ	P319 Low Profile Through Hull Plastic Depth Transducer 14m Cable	£112.50	£135.00
E26030	P17 Depth Through Hull Retractable Transducer	£137.50	£165.00
E26027-PZ	P66 Depth Transom Mount Transducer	£145.83	£175.00
E26001-PZ	P79 Depth In Hull Transducer	£187.50	£225.00
E26019-PZ	B45 Depth Through Hull Transducer Stem - includes Fairing Block	£254.17	£305.00
M78717	B17 D Through Hull Retractable Transducer	£254.17	£305.00
DEPTH/SPEED/TEMPERATURE – TRANSDUCERS			
E26006-PZ	i40/50 P65 Depth, Speed, Temperature Transom Mount Transducer	£187.50	£225.00
A22154	DST800 Analog out 200kHz	£233.33	£280.00
E26028-PZ	i40/50 P66 Depth, Speed, Temperature Transom Mount Transducer	£195.83	£235.00
A26043	B744V Bronze Depth, Speed, Temperature Through Hull Transducer (No fairing block)	£412.50	£495.00
A26044	B744VL Long Stem Bronze Depth, Speed, Temperature Through Hull Transducer (No fairing block)	£595.83	£715.00
SPEED/TEMPERATURE – TRANSDUCERS			
E26005	ST69 Speed/Temperature Transom Mount Transducer	£112.50	£135.00
E26008	P371 Speed/Temperature Shorty™ Through Hull Transducer	£112.50	£135.00
E26031	ST800/P120 Speed/Temperature Low Profile Retractable Through Hull Transducer - 13.7m Cable	£112.50	£135.00
E25025	P17 Speed/Temperature Low Profile Through Hull Retractable Transducer - 20m Cable (Replaced by E70674)	£187.50	£225.00
M78716	B120 Speed/Temperature Low Profile Retractable Through Hull Transducer (Replaced by E70686)	£254.17	£305.00
WIND – TRANSDUCERS			
E70670	RSW - Smart Wind Transducer, Short Arm with 30m Cable	£662.50	£795.00
E22078	Short Arm Vane Transducer supplied with 30m (97.5') Cable	£470.83	£565.00
E22079	Long Arm Vane Transducer supplied with 50m (162.5') Cable	£595.83	£715.00
A28162	30m Mast Cable & Connector	£125.00	£150.00
A28163	50m Mast Cable & Connector	£191.67	£230.00
R28170	Short Arm Wind Vane Transducer	£345.83	£415.00
R28171	Long Arm Wind Vane Transducer	£458.33	£550.00
T70338	Wireless Wind Kit for STNG (E70361, T120 & T113)	£912.50	£1,095.00
Z195	RotaVecta Transducer supplied with 20m (65') Cable	£291.67	£350.00
RUDDER REFERENCE - TRANSDUCERS			
M81105	Rudder Angle Transducer	£262.50	£315.00

INSTRUMENTS



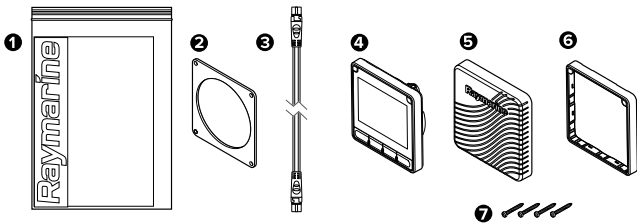
i50 / i60 : IN THE BOX



1. i50 / i60 Instrument display
2. Suncover (to match i70s, p70s, p70Rs, eS Series)
3. Front bezel (to match i70s, p70s, p70Rs, eS Series)
4. Gasket
5. Suncover (to match a, c, e Series)
6. Front bezel (to match a, c, e Series)
7. 400 mm (15.7 in) SeaTalkng[®] spur cable
8. Termination
9. Screws
10. Documentation



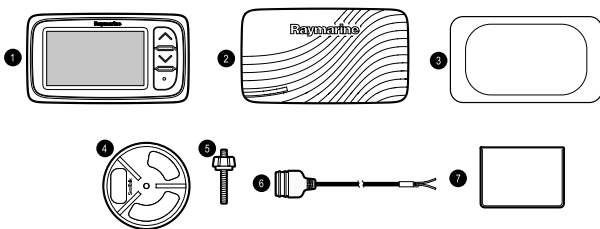
i70s : IN THE BOX



1. Documentation
2. Panel Seal Gasket
3. 400mm (15.7in) SeaTalkng[®] spur cable (A06038)
4. i70s Instrument Display (supplied with keymat and black bezel (A80353) fitted)
5. Suncover (A80357)
6. Spare gunmetal bezel (A80354)
7. Mounting screws x4

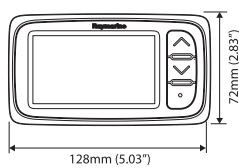


i40 : IN THE BOX

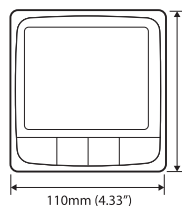


1. i40 Instrument
2. i40 Sun cover
3. Mounting gasket
4. Clamping bracket
5. Fixing stud and thumb nut
6. SeaTalk power cable 1m (3ft)
7. Document pack

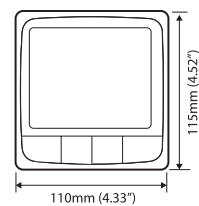
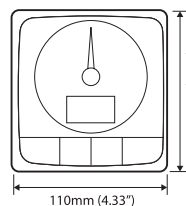
← (mm / in.) →



i40



i50 / i60



i70s

WIRELESS INSTRUMENTS



SAILING



CRUISING

You need instant access to accurate data and displays that are absolutely reliable. Raymarine Wireless instruments display all the data you'll need and there are no wires running through your hull or down your mast.



Micro-Talk Gateway

The Micro-Talk Wireless Performance Sailing Gateway allows you the flexibility to mix-and-match any combination of wired or wireless Raymarine instruments, transducers, multifunction displays and autopilots. Whether you are building a new system from scratch, or expanding an existing system, the Micro-Talk Gateway enables performance-minded sailors to take advantage of the enhanced accuracy and installation convenience offered by Raymarine's wireless, solar-powered wind transmitter options.

Wireless for Cruising

Raymarine's wireless instrument systems offer instant access to accurate depth, wind, speed and GPS data. The displays are simple to install, solar powered, and use Micronet wireless networking to communicate. Micronet MN100 series instruments include single line, dual-line and analogue wind display options. A wide selection of optional transducers, sensors and accessories are available to customise your system.

Wireless For Racing

Raymarine wireless instruments deliver a tactical advantage to the club racer or ocean navigator alike. In addition to navigation data, Raymarine wireless racing systems deliver polar data, true wind speed and angle, VMG, compass heading and more. Small screen, large screen and hand-held options ensure you have the data you need, where you want to see it.

Race Compass

Raymarine's Micro Compass and Racemaster compass systems give you the winning advantage with accurate, reliable readouts. The self-contained Micro Compass' tactical scale give you clear stable figures for port and starboard tacks. Racemaster is a two tier display that displays heading, wind shift indicator, line bias, and race timer. Both compasses are 100% solar powered, install in seconds, and can be easily removed for storage.

PART NO.	DESCRIPTION	RRP EX. VAT	RRP INC. VAT
----------	-------------	-------------	--------------

Wireless Instruments			
MICRONET WIRELESS DISPLAYS			
T110-868	Wireless Multi Digital Display	£412.50	£495.00
T111-868	Wireless Multi Dual Digital Display	£495.83	£595.00
T112-868	Wireless Multi Analogue Display	£495.83	£595.00
T113-868	Wireless Multi Remote Display	£404.17	£485.00

WIRELESS INSTRUMENTS

PART NO.	DESCRIPTION	RRP EX. VAT	RRP INC. VAT
MICRONET WIRELESS CRUISING SYSTEMS			
T100-868	Wireless Speed & Depth System	£720.83	£865.00
T101-868	Wireless Multi Wind System	£833.33	£1,000.00
T163-868	Wireless Power Boat System with Transom Triducer	£720.83	£865.00
T103-868	Wireless Speed & Depth System with Triducer	£720.83	£865.00
T108-868	Wireless Wind, Speed & Depth System with Triducer	£1,495.83	£1,795.00
T104-868	Wireless Wind, Speed, Depth & NMEA System	£1,745.83	£2,095.00
T106-868	Remote Display Starter System	£541.67	£650.00
MICRO COMPASS AND ACCESSORIES			
T061	Micro Compass System - Includes Micro Compass and Strap Bracket	£312.50	£375.00
T060	Micro Compass	£270.83	£325.00
T004	Deck Bracket	£54.17	£65.00
T005	Strap Bracket	£54.17	£65.00
T006	Long Slug Bracket	£54.17	£65.00
T008	Cat Pole Bracket	£62.50	£75.00
MICRONET WIRELESS RACING PRODUCTS			
T070-868	Micronet Race Master	£537.50	£645.00
T074-868	Micronet Race Master System and Transducer	£895.83	£1,075.00
T075-868	Micronet Race Master System, Triducer and Solar Panel	£995.83	£1,195.00
T210	Wireless Multi Maxi display	£995.83	£1,195.00
T215	Wireless Multi Dual Maxi Display	£833.33	£1,000.00
T222	Wireless Vertical Wind Transmitter	£1,579.17	£1,895.00
T221	Mast Rotation Transmitter	£495.83	£595.00
PP30-868	Performance Pack 30 (wind, speed, depth & compass txducers, 2-up mast bracket, NMEA interface, dual, maxi, dual maxi, & remote control displays)	£3,529.17	£4,235.00
PP40-868	Performance Pack 40 (wind, speed, depth & compass txducers, 3-up mast bracket, NMEA interface, dual, 3 x maxi, & remote control displays)	£3,970.83	£4,765.00
PP50-868	Performance Pack 50 (vertical wind, speed, depth & compass txducers, 3 up mast bracket, NMEA interface, dual, 3 x maxi, & remote control displays)	£5,029.17	£6,035.00
MICRONET COMPONENTS AND ACCESSORIES			
E70361	Micro-Talk Puck - Micronet to SeataKNG Gateway	£250.00	£300.00
A80370	Pole Mount for RS150 GPS Antenna / Micro-Talk Puck	£29.17	£35.00
T70338	Wireless Wind Kit for STNG (E70361, T120 & T113)	£912.50	£1,095.00
T137	Slug Mast Bracket 1 up (Digital, Dual, Analogue Range)	£87.50	£105.00
T231	Mast Bracket 1 up (for Maxi, Dual Maxi or Race Master)	£112.50	£135.00
T232	Mast Bracket Maxi 2 up (for Maxi, Dual Maxi or Race Master)	£175.00	£210.00
T234	Mast Bracket Maxi 3 up (for Maxi, Dual Maxi or Race Master)	£220.83	£265.00
T909	Compass Transducer	£175.00	£210.00
T120	Wind Transmitter	£483.33	£580.00
T121	Hull Transmitter	£287.50	£345.00
T122	Wireless Interface	£287.50	£345.00
T138	External Solar Panel (9V) - 108mm x 108mm	£95.83	£115.00
T235	Carbon Black Bezel for T110, T111, T112	£37.50	£45.00
T910	Triducer (Speed, Depth and Temperature in One, Retractable - 50m range)	£175.00	£210.00
T911	Speed Transducer (Speed and Temperature, Retractable with Flap Valve) (Replaced by E70687)	£112.50	£135.00
T912	Depth Transducer (Depth, Retractable - 80m Range)	£112.50	£135.00
T942	Bronze Fitting for Long Body Transducer	£141.67	£170.00
T943	Flush Fitting for Long Body Transducer	£33.33	£40.00
T139	Alarm Booster	£33.33	£40.00
T050	Large Deck Bracket	£58.33	£70.00
T905	Depth transducer (50mm through/in hull)	£112.50	£135.00
T908	GPS Antenna with NMEA 0183 output	£333.33	£400.00
TA900	Paddle Wheel Replacement Kit for T911	£33.33	£40.00
TA106	Instrument Cover for Digital, Dual Digital or Analogue Displays	£25.00	£30.00

THERMAL CAMERAS



SAILING



CRUISING



FISHING

Teledyne-FLIR maritime thermal imaging cameras turn night into day, keeping you safe and secure and letting you boat with confidence. From small boats to superyachts, FLIR offers leading-edge thermal cameras that are rugged, reliable and straightforward to use.



FLIR MTMS

Keep a watchful eye on such critical equipment as engines, exhaust manifolds, and shaft bearings to spot problems before they leave you stranded on the water.



FLIR M232

Our smallest and most affordable pan and tilt marine thermal night vision camera. Using our latest generation Boson™ thermal core, the M232 lets boaters see at night in 320 x 240 thermal resolution and also features 2x digital zoom.



FLIR M300 SERIES

The M300 Series sets a new standard for safe marine navigation and situational awareness. Applying enhanced stabilization technology to high-performance visible, thermal, or multispectral imaging, M300 Series marine cameras deliver unwavering vision in high-stakes environments.

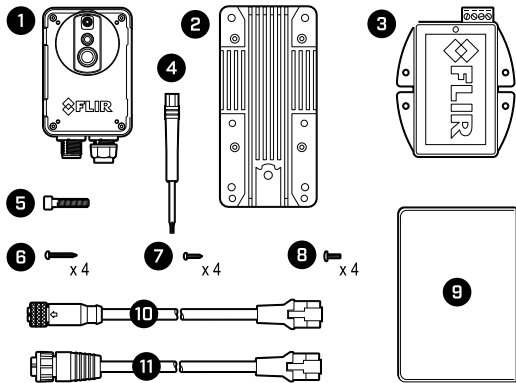
THERMAL CAMERAS

PART NO.	DESCRIPTION	RRP EX. VAT	RRP INC. VAT
Thermal Cameras			
AX8 ENGINE ROOM CAMERA			
E70321	AX8 Thermal and Visible Imaging Camera for temperature measurement	£958.33	£1,150.00
261-2319-00	AX8 RAM Mount Kit	£58.33	£70.00
M SERIES PAN & TILT THERMAL CAMERAS			
E70354	M232 Thermal IP Camera (320 x 240, 9Hz) with Pan, Tilt and electronic zoom	£3,079.17	£3,695.00
M SERIES STABILISED PAN & TILT VISIBLE / THERMAL CAMERAS			
E70605	M300C Stabilised Pan & Tilt Visible IP Camera with 30X Optical Zoom	£5,829.17	£6,995.00
E70528	M332 Stabilised Pan & Tilt Thermal IP Camera (320 x 256, 24° FoV) with electronic zoom	£7,495.83	£8,995.00
E70526	M364 Stabilised Pan & Tilt Thermal IP Camera (640 x 512, 24° FoV) with electronic zoom	£12,495.83	£14,995.00
E70519	M364C Stabilised Pan & Tilt Thermal IP Camera (640 x 512, 24° FoV) with electronic zoom and Colour Low Light Camera with 30X electronic zoom	£17,495.83	£20,995.00
E70521	M364C LR Stabilised Pan & Tilt Thermal Long Range IP Camera (640 x 512, 18° FoV) with electronic zoom and Colour Low Light Camera with 30X electronic zoom	£24,995.83	£29,995.00
ACCESSORIES			
T70477	JCU1 PoE Injector Kit (includes JCU1, weather cover, mounting hardware, PoE Injector and 25ft Ethernet RJ-45 to RJ-45 Cable)	£829.17	£995.00
T70478	JCU2 PoE Injector Kit (includes JCU2, mounting hardware, PoE Injector and 25ft Ethernet RJ-45 to RJ-45 Cable)	£1,329.17	£1,595.00
A80510	M200/M300 Joystick Control Unit (JCU3)	£329.17	£395.00
E70537	AR200 IP Camera Stabilisation Module, for Augmented Reality	£470.83	£565.00
A80667	M300 0.5m Cable Kit	£187.50	£225.00
A80696	M300 3m Cable Kit	£229.17	£275.00
A80664	M300 10m Cable Kit	£329.17	£395.00
A80437	RS150/MicroTalk Puck Clamshell Riser Mounting Kit	£33.33	£40.00
A80370	Pole Mount for RS150 GPS Antenna / Micro-Talk Puck	£29.17	£35.00
A80511	M232 Right Angle Single Keyway Power Cable, 10m	£75.00	£90.00
A80512	Raynet Right Angle (F) to Raynet Straight (F) cable - 10m	£120.83	£145.00
A80513	Adaptor, Raynet to RJ45 Cable, 100mm	£12.50	£15.00
A80509	Top Down Riser, M100, M200	£62.50	£75.00
A80643	M300 Gasket Set for the Top-Down Riser	£45.83	£55.00
A80641	M300 Top-Down Riser Kit including Gaskets, Nuts & Bolts	£104.17	£125.00
A80508	IP to Analog Video Decoder	£904.17	£1,085.00
4230175	8-Port Industrial Power Over Ethernet Unmanaged Switch	£1,204.17	£1,445.00
CAMERA MOUNTS			
A80571	M232 Thermal Camera Mast Mount Bracket	£262.50	£315.00

THERMAL CAMERAS



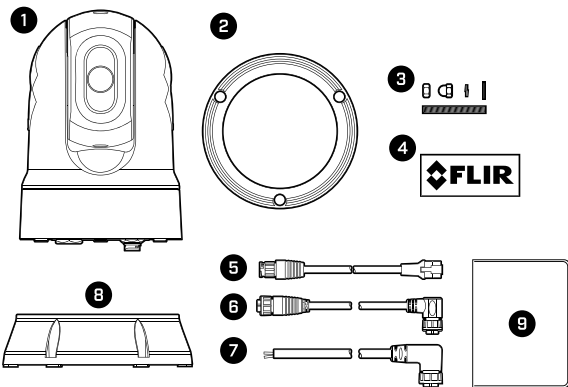
MTMS: IN THE BOX



1. MTMS thermal camera
2. Cooling bracket
3. PoE injector (Refer to the 'Potential ignition source' warning)
4. T6 Torx driver
5. 1 x 1/4" – 20 x 30 mm Hex bolt (for fitting cooling bracket to the optional mounting bracket: R70375.)
6. 4x No.6 x 25 mm screws (for surface mounting cooling bracket / camera assembly)
7. 4x PT 22x8 T6 torx screws (to fit cooling bracket to camera.)
8. 4x 10–32UNF 1/2" hex bolts (for fitting cooling bracket to the optional RAM® mount 261–2288–00)
9. Documentation
10. 5 m (16.4 ft) Ethernet cable (M12 X–coded to RJ45) (for connecting camera to PoE injector)
11. 3 m (9.84 ft) RayNet to RJ45 adaptor cable (for connecting PoE injector to Raymarine MFD or network switch)



M2XX SERIES: IN THE BOX

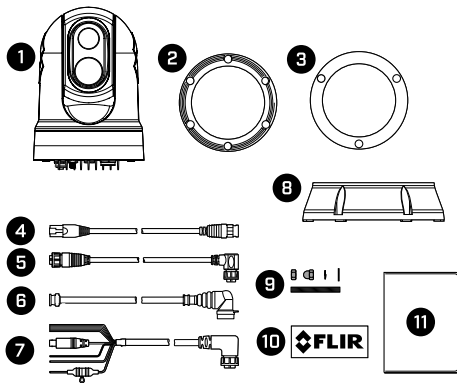


1. Thermal camera
2. Thermal camera base-seal
3. 3 x thermal camera fasteners: nuts, dome nuts, spring washers, flat washers, and threaded studs
4. 2 x Self-adhesive decals (for ball-down mounting only)
5. RayNet-to-RJ45 adapter cable (100 mm)
6. Right-angled RayNet-to-RayNet cable (10 m)
7. Right-angled 3-pin power cable (10 m)
8. Top-down riser kit (includes riser, riser base seal, and riser mounting template)
9. Documentation pack

THERMAL CAMERAS

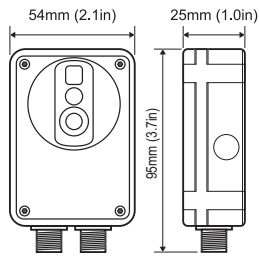


M3XX SERIES: IN THE BOX

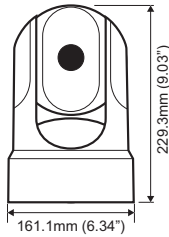


1. M300 Camera
2. Camera base-seal
3. Camera gasket
4. RayNet-to-RJ45 adaptor cable 120 mm (4.72 in.)
5. Right-angled RayNet-to-RayNet cable 3 m (9.8 ft.)
6. Right-angled HD-SDI video cable (with BNC connectors) 3 m (9.8 ft.)
7. Right-angled power/NMEA 0183/video cable 3 m (9.8 ft.)
8. Mounting riser
9. 3x camera fixings: nuts, dome nuts, spring and flat washers, threaded studs
10. 2 x self-adhesive decals (for ball-down mounting only)
11. Documentation pack

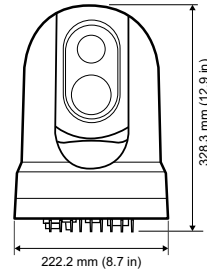
← (mm / in.) →



MTMS



M232



M3XX

VIDEO CAMERAS



NEW



SAILING



CRUISING



FISHING

The CAM300 mini day/night IP camera is a wide field-of-view visible camera designed for Raymarine Axiom chartplotters. Equipped with an HD video sensor, the CAM300 transforms Axiom into a powerful onboard video observation system. Use the CAM300 to monitor blind spots, check in on the crew, or watch and record all fishing action from the helm. Combine the CAM300 with the Raymarine AR200 sensor and make smarter navigation decisions using ClearCruise augmented reality to overlay AIS targets, waypoints and chart objects on the Axiom video display.

- View up to 4 CAM300 video streams simultaneously on a single Axiom display
- 3MP CMOS sensor delivers up to 1080p resolution
- Built-in infrared emitters for excellent near-field low light visibility up to 33 ft (10 meters)
- Image flip and invert functions for ball-up/ball-down installation and reverse video
- ONVIF Profile S compatible for compatibility with security system applications
- Easy to install with either direct 12-volt connection or single cable Power over Ethernet (POE)
- Rugged IP66 enclosure for below and above deck marine installations

PART NO.	DESCRIPTION	RRP EX. VAT	RRP INC. VAT
----------	-------------	-------------	--------------

Day & Night Video Cameras

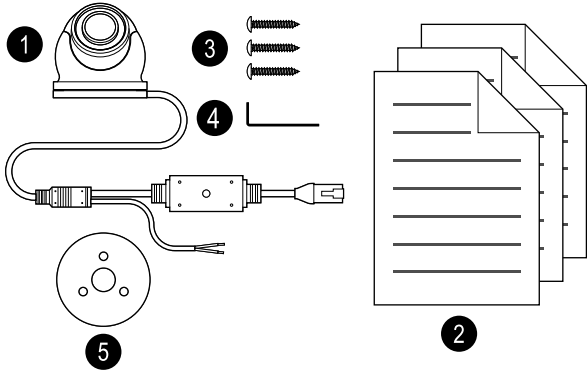
DAY AND NIGHT IP VIDEO CAMERA

E70346	CAM210 Bullet CCTV Day and Night Video Camera (IP Connected)	£537.50	£645.00
E70347	CAM220 Eyeball CCTV Day and Night Video Camera (IP Connected)	£479.17	£575.00
E70660	CAM300 Eyeball CCTV Day and Night Video Camera (IP Connected)	£495.83	£595.00
4115028	Weather proof Ethernet coupler	£16.67	£20.00
A62360	RayNet (F) to RJ45 (M) cable - 1m	£54.17	£65.00
A80151	RayNet (F) to RJ45 (M) cable - 3m	£54.17	£65.00
A80159	RayNet (F) to RJ45 (M) cable - 10m	£95.83	£115.00
4113746	12/24V Power over Ethernet Injector	£154.17	£185.00

VIDEO CAMERAS

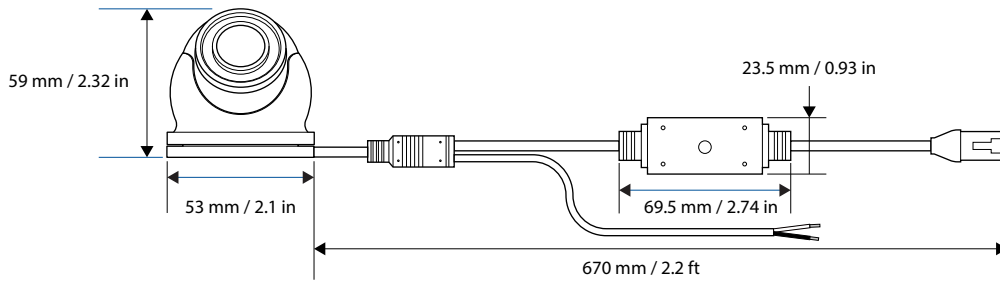


CAM300: IN THE BOX



- 1. CAM300 camera
- 2. Documentation
- 3. Mounting screws x3
- 4. Hex wrench (Allen key)
- 5. Waterproof gasket

← (mm / in.) →



CLEARCRUISE AR



SAILING



CRUISING



FISHING

ClearCruise™ AR is bringing enhanced on water perception to Raymarine's family of Axiom® chartplotter displays. With ClearCruise AR, Raymarine Axiom users can make smarter decisions with navigation objects overlaid directly on Axiom's high definition video display.



Make Smarter Decisions

See critical navigation objects overlaid on HD video. Surrounding AIS-equipped vessel traffic and charted navigation aids are clearly identified with rich graphics on a live, dynamic video image.



Recognise and Respond to Nearby Marine Traffic

Colour-coded labels provide instant identification, status, and risk-assessment Live AIS Targets. ClearCruise AR provides positive identification of AIS equipped vessels on the horizon.



Understand Complex Navigational Situations

Major chart objects are identified for instant, heads-up recognition. ClearCruise AR technology shows you visually where your saved waypoints and marks are located.

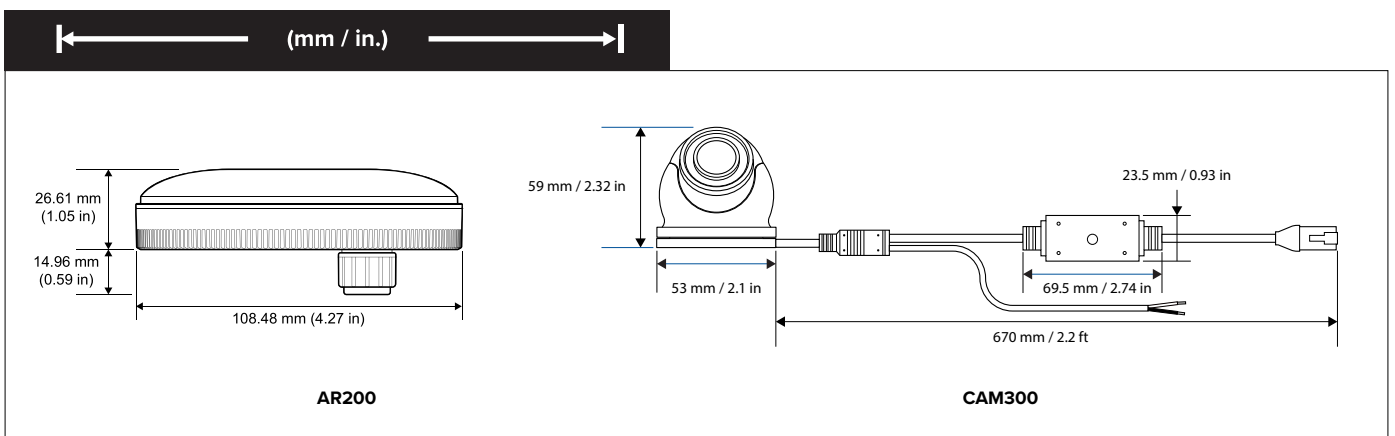


See Waypoints in the Real World

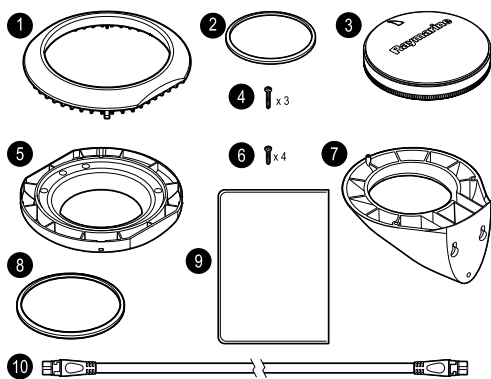
Visualize nearby marks and waypoints for easy navigation. ClearCruise AR technology makes it easy to pick out the buoys marking the edges of the safe channel on a hazy day.

CLEARCRUISE AR

PART NO.	DESCRIPTION	RRP EX. VAT	RRP INC. VAT
AUGMENTED REALITY			
T70453	Augmented Reality Pack including CAM220 Eyeball camera, AR200, STNG 1m Backbone, T-piece & 10m Raynet Cable	£1,037.50	£1,245.00
T70452	Augmented Reality Pack including CAM210 Bullet camera, AR200, STNG 1m Backbone, T-piece & 10m Raynet Cable	£1,120.83	£1,345.00
T70581	Augmented Reality Pack including CAM300 Eyeball camera, AR200, STNG 1m Backbone, T-piece & 10m Raynet Cable	£1,079.17	£1,295.00
E70537	AR200 IP Camera Stabilisation Module, for Augmented Reality	£470.83	£565.00



AR200 : IN THE BOX



1. Mounting trim (Top).
2. Small sealing ring.
3. AR200.
4. 3 x large bulkhead bracket fixings (Pan head pozi DIN7981 ST 3.9x22 C Z A4 Stainless steel).
5. Mounting tray (Bottom).
6. 4 x small surface mount fixings (Pan head pozi DIN7981-ST 2.9x13 C Z A4 Stainless steel).
7. Bulkhead (Wall) bracket.
8. Large sealing ring.
9. Documentation.
10. 6 m (19.69 ft) SeaTalkng® (White) cable.

SATELLITE TV



SAILING



CRUISING



FISHING

Raymarine's Satellite TV antennas bring the same combination of high performance and ease-of-use to your onboard entertainment that you would expect from your home entertainment system. Housed in a compact dome, our antenna systems automatically track and receive satellite TV signals in almost any conditions - guaranteed quick, clear, reliable access to hundreds of digital channels.

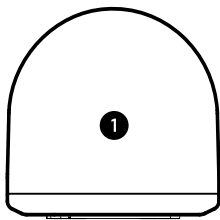
PART NO.	DESCRIPTION	RRP EX. VAT	RRP INC. VAT
Satellite TV			
33STV, 37STV, 45STV AND 60STV SATELLITE TV ANTENNAS			
E70454	33STV - 33cm Satellite TV System for Europe, Brazil & Mexico	£3,662.50	£4,395.00
E70457	37STV - 37cm Satellite TV System for Europe, Brazil & Mexico	£4,162.50	£4,995.00
E70462	45STV - 45cm Satellite Antenna System for Europe, Brazil & Mexico	£4,579.17	£5,495.00
E70466	45STV - 45cm Satellite TV Antenna System with Auto Skew for Europe	£4,995.83	£5,995.00
E70473	60STV - 60cm Satellite TV Antenna System for Europe, Middle East, Brazil & Mexico	£8,329.17	£9,995.00
OTHER SATELLITE TV			
E70453	33STV - 33cm Satellite TV Antenna System Americas	£3,662.50	£4,395.00
E70456	37STV - 37cm Satellite TV Antenna System Americas	£4,162.50	£4,995.00
E70461	45STV - 45cm Satellite TV Antenna HD System Americas	£4,579.17	£5,495.00
E70471	60STV - 60cm Satellite TV Antenna HD System Americas	£7,062.50	£8,475.00
E70455	33STV - 33cm Satellite TV System for New Zealand	£3,662.50	£4,395.00
E70458	37STV - 37cm Satellite TV System for New Zealand	£3,883.33	£4,660.00
E70459	37STV - 37cm Satellite TV System for Australia (replaces E42192-2)	£3,883.33	£4,660.00
E70460	37STV - 37cm Satellite TV System for China inc SAT9	£4,162.50	£4,995.00
E70463	45STV - 45cm Satellite TV Antenna System for New Zealand	£4,412.50	£5,295.00
E70464	45STV - 45cm Satellite TV Antenna System for Australia	£4,579.17	£5,495.00
E70468	45STV - 45cm Satellite TV Antenna System for China inc SAT9	£4,412.50	£5,295.00
E70474	60STV - 60cm Satellite TV Antenna System for China and New Zealand	£7,062.50	£8,475.00
E70475	60STV - 60cm Satellite TV Antenna System Gen 2 for Australia	£7,062.50	£8,475.00

SATELLITE TV

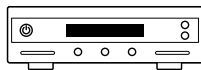
PART NO.	DESCRIPTION	RRP EX. VAT	RRP INC. VAT
SATELLITE TV ACCESSORIES			
E42172	33STV Empty Dome and Baseplate	£495.83	£595.00
E96016	37STV Empty Dome and Baseplate	£662.50	£795.00
E96009-V	45STV Empty Dome and Baseplate	£745.83	£895.00
E96013	60STV Empty Dome and Baseplate	£1,245.83	£1,495.00
E96007	Power/Data Cable – ACU to the Antenna 30m	£237.50	£285.00
E96008	RF Cable 30m	£391.67	£470.00



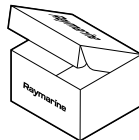
33STV / 37STV / 45STV / 60STV



2

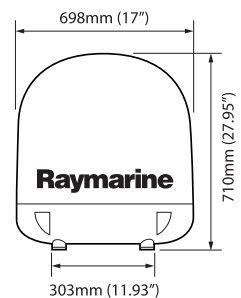
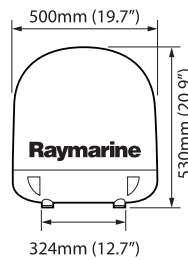
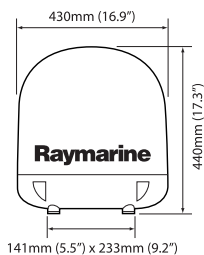
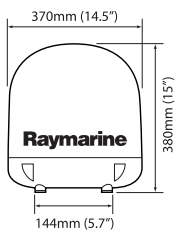


3



1. STV dome
2. Antenna Control Unit (ACU)
3. Accessories pack

← (mm / in.) →



AIS



SAILING



CRUISING



FISHING

AIS (Automatic Identification System) systems enable the wireless exchange of navigation status between vessels and shore-side traffic monitoring centres. Commercial ships, ocean-going vessels and recreational boats equipped with AIS transceivers broadcast AIS messages that include the vessel's name, course, speed and current navigation status.



AIS700 AIS TRANSCEIVER

The AIS 700 is a Class B Transceiver featuring the latest SO-TDMA Technology. Complete with an internal antenna splitter that allows the AIS to share the antenna with the VHF.



AIS4000 AIS TRANSCEIVER

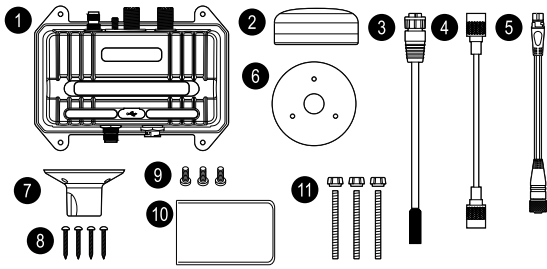
The AIS4000 boasts a high definition colour display for quick access to integrated charts, alarms, and tracking. Additional support for wired and wireless networking with shipboard systems make AIS4000 a premier SOLAS and Inland Waterway-certified Class A transceiver.

PART NO.	DESCRIPTION	RRP EX. VAT	RRP INC. VAT
Automatic Identification Systems - AIS			
Automatic Identification Systems - AIS			
E70476	AIS700 Class B Transceiver with integrated splitter	£995.83	£1,195.00
Automatic Identification Systems - AIS Class A			
E70601	AIS4000 Transponder Bundle	£2,662.50	£3,195.00
ACCESSORIES			
A80586	AIS 4000/5000 mounting bracket	£41.67	£50.00
A80587	AIS4000 / AIS5000 POWER CABLE	£45.83	£55.00
A80588	AIS4000 / AIS5000 JUNCTION BOX	£625.00	£750.00
A80589	GPS & Glonass antenna (AXIOM Pro, AXIOM XL & AIS 4000/5000)	£116.67	£140.00
A80590	AIS 4000/5000 VHF Antenna (and fixings)	£345.83	£415.00
A80593	AIS 4000/5000 Junction Box Data Interface Cables	£241.67	£290.00
A80594	AIS 4000/5000 "Silence" push switch	£41.67	£50.00
A80597	VHF Connector (PL-259 - Male)	£16.67	£20.00
A80598	VHF Connector (PL-259 - Female)	£16.67	£20.00
A80599	GPS Connector (TNC - Male)	£16.67	£20.00
A80600	GPS Connector (TNC - Female)	£12.50	£15.00
A06045	DeviceNet (Female) to STNG Spur (Female) Adaptor Cable (400mm)	£37.50	£45.00

AIS



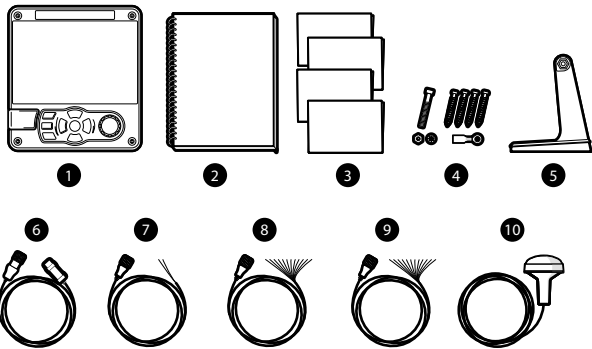
AIS700: IN THE BOX



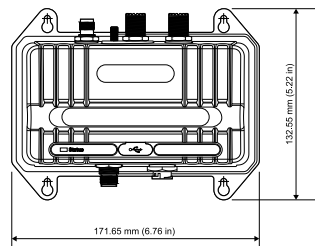
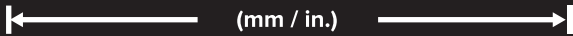
1. Transceiver
2. GNSS Antenna with Cable 2m
3. Power / Data Cable
4. VHF Radio Cable 1m
5. DeviceNet to SeaTalk[®] adaptor cable
6. GNSS Antenna Gasket
7. GNSS Antenna Pole Mount
8. AIS Unit Fixings
9. Screws
10. Documentation
11. Fixings for optional surface mounting GNSS antenna



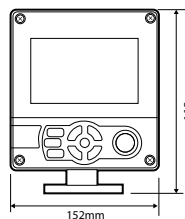
AIS4000: IN THE BOX



1. AIS transceiver
2. Product Manual
3. Documentation Pack
4. Fixings
5. Mounting Bracket
6. STng to DeviceNet cable
7. Power cable
8. 14 way data cable
9. 18 way data cable
10. GNSS Antenna Cable Assy



AIS700



AIS4000

VHF COMMUNICATIONS



SAILING



CRUISING



FISHING

From compact VHF Radios to the ultimate all-in-one communications solution - we have a VHF Radio for every boater! You'll always be heard loud and clear with a VHF Radio from Raymarine. Whether it's our new compact Ray53, full-sized Ray63, or multifunction Ray73, you can depend on your Raymarine VHF Radio for years of trouble-free communication at sea.



RAY53

Raymarine's Ray53 radio is small in size but big on features and performance. Ray53 is a full-function VHF marine radio with Class D Digital Selective Calling (DSC) and a built-in GPS receiver.



RAY63

The Ray63 offers reliable VHF performance, multi-station control, and intercom capability using optional RayMic wireless and wired controllers. The Ray63 has a built-in GPS receiver and features Class D Digital Selective Calling (DSC).



RAY73

The Ray73 has all of the features, performance, and remote options as the full-sized Ray63 plus an integrated AIS receiver. NMEA0183 and NMEA2000 ports allow the Ray73 to network with chartplotters for AIS and DSC functions.

RAY90

Raymarine's fixed mount Ray90 modular VHF radio bring multi-station communications to a whole new level of power, performance and flexibility. The Ray90 is a black-box design with a transceiver that hides out of sight under your helm, in a locker, or just about anywhere.

RAY91

In addition to being a full featured VHF radio system, the Ray91 also has a built-in Automatic Identification System (AIS) receiver. Ray91 can receive the navigation and safety broadcasts from nearby AIS-equipped vessels and share them with your compatible MFD, chartplotter, radar and instruments.



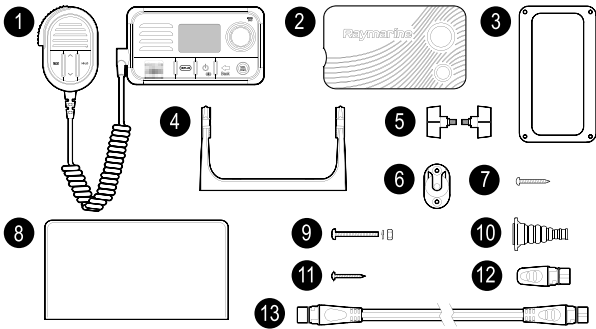
VHF COMMUNICATIONS

PART NO.	DESCRIPTION	RRP EX. VAT	RRP INC. VAT
VHF Radios			
VHF Radios			
E70524	Ray53 VHF Radio with Integrated GPS receiver	£354.17	£425.00
E70516	Ray63 VHF Radio (optional 2nd handset) with Integrated GPS receiver	£437.50	£525.00
E70517	Ray73 VHF Radio (optional 2nd handset) with Integrated GPS and AIS receiver	£620.83	£745.00
E70492	Ray 90 VHF Black Box (inc wired handset, passive speaker and cable)	£745.83	£895.00
E70493	Ray 91 VHF Black Box with AIS Rx (inc wired handset, passive speaker and cable)	£912.50	£1,095.00
T70424	Ray 90 VHF Black Box with AIS 700 Tx & Rx (inc wired handset, passive speaker and cable)	£1,579.17	£1,895.00
VHF RADIOS ACCESSORIES			
T70469	Ray 63/73 Wireless 1st Station including Wireless Handset, Wireless Hub, Active Speaker & adaptor cable	£545.83	£655.00
T70433	Ray 90/91 Wireless 1st Station including Wireless Handset, Wireless Hub and Active Speaker	£545.83	£655.00
T70434	Ray 63/73/90/91 Wireless 2nd Station including Wireless Handset and Active Speaker	£337.50	£405.00
T70432	Ray 63/73/90/91 Wired 2nd Station including Raymic Handset, Y-cable, Passive Speaker & 10m cable	£400.00	£480.00
A80540	Ray 63/73/90/91 Wireless Hub	£225.00	£270.00
A80541	Ray 63/73/90/91 Wireless Hub Aerial extension (5m)	£75.00	£90.00
A80542	Ray 63/73/90/91 Passive Speaker	£91.67	£110.00
A80543	Ray 63/73/90/91 Active Speaker	£129.17	£155.00
A80544	Ray 63/73/90/91 Wireless Handset (inc Holster/Charger)	£241.67	£290.00
A80289	Ray 63/73/90/91 Raymic Handset (without cable)	£195.83	£235.00
A80291	Ray 63/73/90/91 Raymic 5m Extension Cable	£75.00	£90.00
A80292	Ray 63/73/90/91 Raymic 10m Extension Cable	£91.67	£110.00
A80290	Ray 63/73/90/91 Raymic 15m Extension Cable	£129.17	£155.00
A80296	Fistmic Adaptor Cable (12 pin to 8 pin) 400mm	£66.67	£80.00
A80297	Handset Adaptor cable (12 pin to 12 pin) with passive spk output (400mm)	£62.50	£75.00
A80333	Black Bezel for Ray 63/73	£4.17	£5.00
R70739	Wireless adaptor cable (Ray63/73) 220mm	£45.83	£55.00
R70484	VHF Handset Hanger	£8.33	£10.00
M95435	External Hailing Horn Speaker	£254.17	£305.00

VHF COMMUNICATIONS



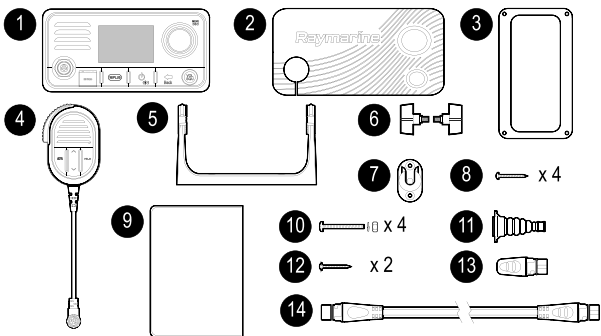
RAY53: IN THE BOX



1. VHF Radio
2. Sun cover
3. Panel mount gasket
4. Mounting bracket (Trunnion)
5. Mounting bracket knobs
6. Fistmic hook plate
7. 4 x M4x25 screws (For Bracket (Trunnion) mounting)
8. Documentation
9. 4 x M4 nuts, spring washers and M4x25 machine screws (For Panel mounting)
10. Protective antenna boot
11. 2 x M4x12 screws (For Fistmic hook plate mounting).
12. SeaTalkng[®] blanking plug
13. SeaTalkng[®] 400 mm (15.7 in.) spur cable



RAY63/73: IN THE BOX

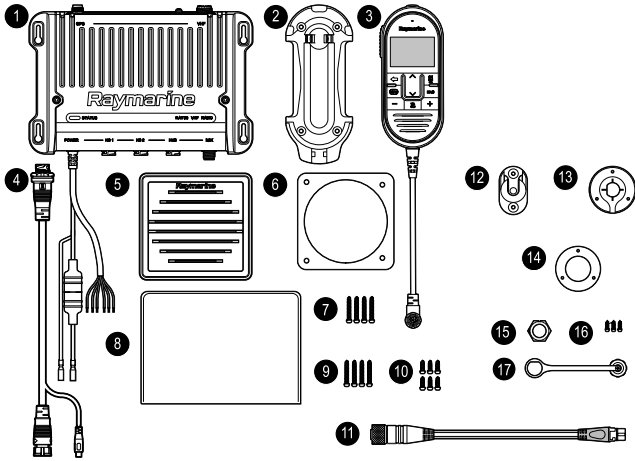


1. VHF Radio
2. Sun cover
3. Panel mount gasket
4. Fistmic
5. Mounting bracket (Trunnion)
6. Mounting bracket knobs
7. Fistmic hook plate
8. 4 x M4x25 screws (For Bracket (Trunnion) mounting)
9. Documentation
10. 4 x M4 nuts, spring washers and M4x25 machine screws (For Panel mounting)
11. Protective antenna boot
12. 2 x M4x12 screws (For Fistmic hook plate mounting)
13. SeaTalkng[®] blanking plug
14. SeaTalkng[®] 400 mm (15.7 in.) spur cable

VHF COMMUNICATIONS

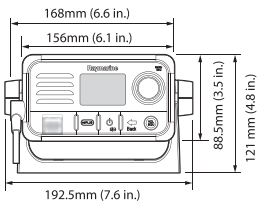


RAY90: IN THE BOX

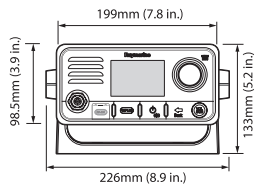


1. Ray90 / Ray91 VHF DSC Radio base station (including fitted power and data cable)
2. Wired handset holster
3. Wired handset
4. Wired handset adaptor cable with RCA Audio 400 mm (1.3 ft)
5. Passive speaker and bezel
6. Passive speaker mounting gasket
7. 4x M4x25 screws (for wired speaker mounting)
8. Documentation
9. 4x M4x25 screws (For base station mounting)
10. 6x M4x12 screws (For Handset holster and hook plate mounting)
11. DeviceNet to SeaTalkng® 1 m (3.28 ft) adaptor cable
12. Handset hook plate
13. Through panel cable mounting plate
14. Through panel cable mounting plate gasket
15. Through panel cable mounting nut
16. Through panel cable mounting plate screws x3
17. Through panel cable mounting dust cap

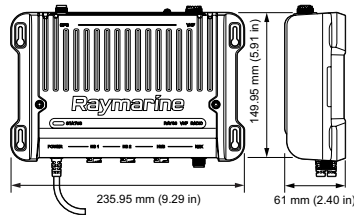
← (mm / in.) →



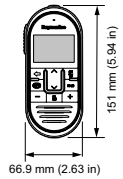
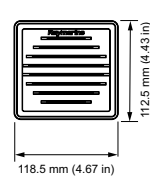
RAY53



RAY63/73



RAY90/91



NEUBOAT 360 DOCK



NEW

We've formed a strategic alliance with Avikus, a pioneering force in autonomous boating, to integrate Avikus NeuBoat technology into Raymarine systems. Raymarine and Avikus enhance your time on the water, ensuring you navigate and dock your boat free from unnecessary worries. The NeuBoat Dock's 360-degree surround view docking camera system for Axiom incorporates Avikus' cutting-edge autonomous technology, empowering you to dock your boat with absolute confidence.

Docking a boat can be stressful. Blind spots, wind, and currents are all conspiring against you. The Raymarine and Avikus Neuboat system makes docking effortless. Neuboat Dock delivers a 360-degree view around your vessel, eliminating blind spots so you can maneuver in tight areas and approach the dock stress-free.



360 DEGREES OF AWARENESS

A 6-camera system provides a 360-degree birds-eye view around the vessel.



DOCK WITH CONFIDENCE

On-screen distance guides provide visual cues and help you dock in tight spaces.



MULTIPLE VIEWS

Enjoy a 360-degree view or view each camera independently with pre-set docking modes.

NEUBOAT 360 DOCK



SIX SURROUND VIEW MONITOR CAMERAS

Installed at the bow, bow-port, bow-starboard, port, starboard, and stern on your vessel, these cameras provides a 360° birds-eye surround view of your vessel's immediate surroundings. Six cameras provide coverage for vessels up to 100 ft (30 metres).

AVIKUS CAMERA CONVERSION UNIT

Installed below deck, this unit receives data from the 6 Surround-View Monitor cameras and then transmits the processed data to the connected Object Recognition Unit. For vessels over 50 feet (15 metres), an additional Camera Conversion Unit and network cabling may be required.

OBJECT RECOGNITION UNIT

Installed below deck, the Avikus Object Recognition receives data from the Camera Conversion Unit and then interprets the visual information from all connected cameras into a synchronized view.

AXIOM DISPLAY

At the helm, an Axiom chartplotter display provides simple touchscreen access to the Neuboot Dock user interface and 360-degree camera view.

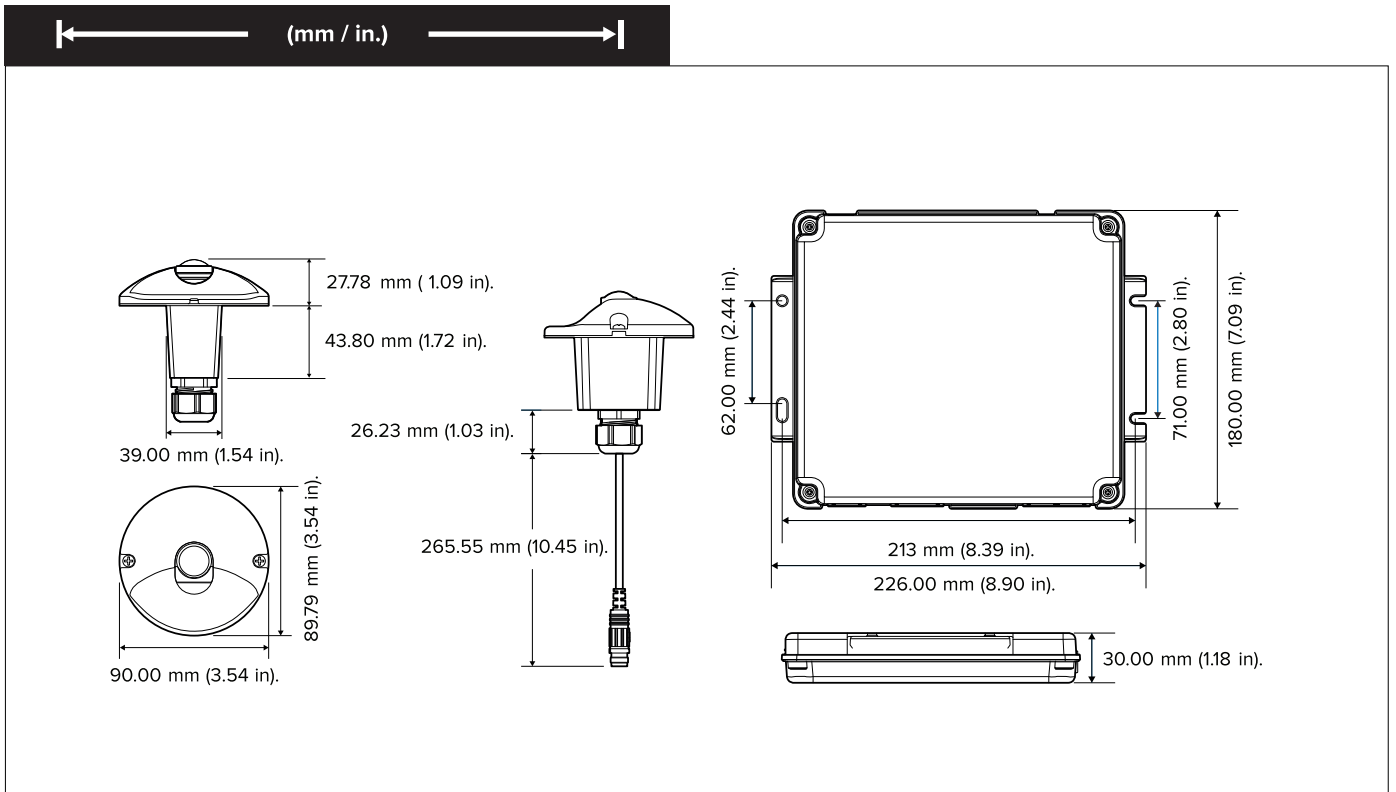
SIMPLIFIED INSTALLATION FOR BOAT BUILDERS

Designed for new boat construction, Avikus Neuboot Dock from Raymarine offers simplified configuration and commissioning. Calibration can be performed on land or in the water. No cumbersome calibration mats or posts used in other systems are required. Calibration does not require Raymarine personnel to be on-site at the boat factory. NeuBoat Dock can be calibrated remotely with a simple Axiom internet connection via Wi-Fi or a YachtSense Link router.

- For vessels in 50' (15 metres) range
- Includes six surround view monitor cameras
- Includes Avikus camera conversion kit
- Compatible with Raymarine Axiom chartplotters (sold separately)

NEUBOAT 360 DOCK

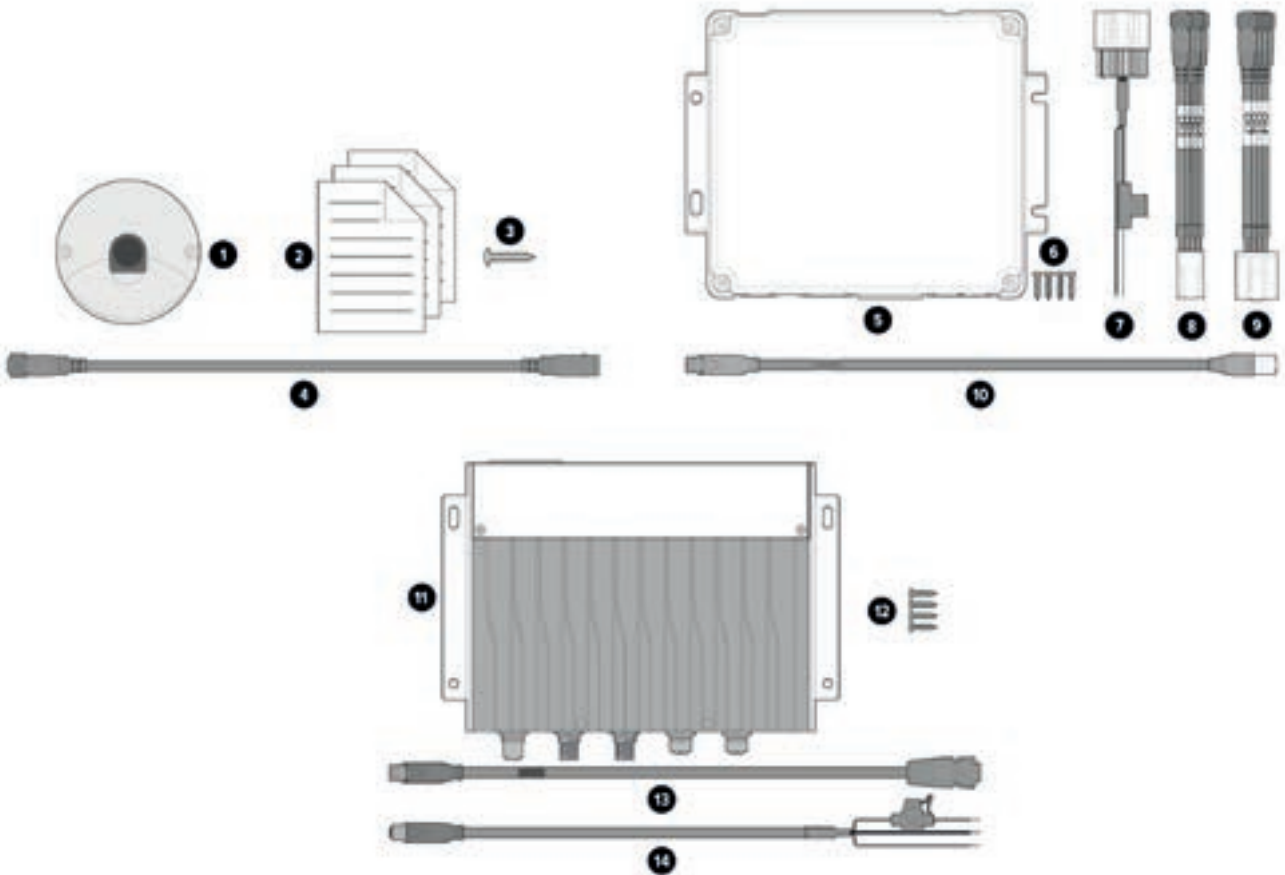
PART NO.	DESCRIPTION	RRP EX. VAT	RRP INC. VAT
Avikus Neuboa			
Avikus Neuboa System			
E70699	Neuboa Dock Basic System	£16,662.50	£19,995.00
ACCESSORIES			
A80760	Camera Conversion Unit	£4,162.50	£4,995.00
A80761	Camera to Camera Conversion Unit Cable (15m)	£162.50	£195.00
A80762	Camera to Camera Conversion Unit Cable (20m)	£245.83	£295.00
A80763	Camera Conversion Unit to Raynet Cable (15m)	£162.50	£195.00
A80764	Camera Conversion Unit to Raynet Cable (25m)	£245.83	£295.00
A80765	Object Recognition Unit to Raynet Cable (25m)	£245.83	£295.00
A80766	Object Recognition Unit to Raynet Cable (50m)	£412.50	£495.00
A80767	Camera Conversion Unit to Object Recognition Unit Cable (15m)	£162.50	£195.00
A80768	Camera Conversion Unit to Object Recognition Unit Cable (25m)	£245.83	£295.00
A80769	Object Recognition Unit Power Cable (2m)	£79.17	£95.00
A80770	Camera Conversion Unit Power Cable (1m)	£37.50	£45.00
A80771	Camera Conversion Unit Camera Input Cable_1 (0.2m)	£37.50	£45.00
A80772	Camera Conversion Unit Camera Input Cable_2 (0.2m)	£37.50	£45.00



NEUBOAT 360 DOCK



NEUBOAT DOCK: IN THE BOX



- | | |
|--|---|
| <ul style="list-style-type: none"> 1. (6x) Surround View Monitor camera. 2. (1x) Documentation pack (includes placement position file)
Power / Data Cable 3. (24x) Fixing screws 4. (6x) SVM camera to CCU cable, 15 m (49.21 ft) 5. (1x) Camera Conversion Unit 6. (4x) Fixing screws 7. (1x) CCU power cable, 1 m (3.3 ft) | <ul style="list-style-type: none"> 8. (1x) CCU camera input cable 1, 200 mm (7.87 in) 9. (1x) CCU camera input cable 2, 200 mm (7.87 in) 10. (1x) CCU to ORU cable, 15 m (49.21 ft) 11. (1x) Object Recognition Unit 12. (4x) Fixing screws 13. (1x) ORU to RayNet cable, 25 m (82.02 ft) 14. (1x) ORU power cable, 2 m (6.56 ft) |
|--|---|

DOCKSENSE

ASSISTED DOCKING TECHNOLOGY



CRUISING



FISHING

DOCKSENSE™ CONTROL - ASSISTED DOCKING TECHNOLOGY

DockSense is available as part of DockSense Control and DockSense Alert systems. DockSense Alert provides enhanced situational awareness to captains. DockSense Control builds on this with a vessels engine and control systems as detailed below. Yachtsense systems are available through boat builders and technical dealers only.



THE DOCKING CHALLENGE

Docking a boat can be a stressful experience, even for the most experienced captains. Often wind and tides make the task more difficult, and docking mishaps can become expensive repairs. The Raymarine DockSense™ Control system is designed to augment a captain's boat handling skills using the system's Virtual Bumper™ zone technology around the vessel. Should an object like a piling or another vessel encounter the Virtual Bumper, DockSense™ Control automatically introduces corrective steering and throttle commands to avoid the object and assist the captain in guiding the vessel to the dock.

THE FUTURE OF BOAT HANDLING

DockSense™ Control uses global positioning system (GPS) and attitude heading reference system (AHRS) position sensing technology to compensate for the effects of wind and currents, ensuring the vessel enters the dock without drama or costly collisions. The Raymarine DockSense™ Control systems include multiple FLIR machine vision cameras, a central processing module, and the DockSense™ Control App running on Raymarine's Axiom navigation display. The system integrates with modern joystick propulsion systems, providing assisted steering and throttle commands to help captains make a smooth arrival.

DOCKSENSE

ASSISTED DOCKING TECHNOLOGY

DOCKSENSE™ ALERT

DockSense Alert is the next generation of Raymarine’s intelligent docking technology designed to enhance a captain’s awareness of immediate surroundings while manoeuvring the vessel in close quarters. Using advanced stereo vision camera technology, DockSense Alert detects objects above the water line and creates an intuitive map of potential hazards around the boat. Live video feeds enhance the captain’s view while audible and visible alerts inform the captain when an object is close to the vessel.



DOCK WITH CONFIDENCE

DockSense Alert gives captains the confidence to dock in challenging conditions at any dock, in any location. Unlike other docking assistants, DockSense Alert does not require any complex external dockside beacons or sensors. Raymarine’s DockSense Alert is entirely self-contained and integrated with the vessel’s navigation system and ready to use in every docking location.

At the helm, Axiom’s DockSense Alert app provides an informative map showing distance to objects around the boat. Live camera feeds provide added confidence by eliminating blind spots and allowing the captain to see what is happening in real-time. DockSense Alert also offers helpful notifications tuned to the captain’s preferred proximity alert distance.

DOCKSENSE ALERT VESSEL INTEGRATION

DockSense Alert systems are designed for professional engineer installation, and each system integrates with Raymarine Axiom multifunction navigation displays. In addition to advanced 3D stereo vision cameras, DockSense Alert systems require precision heading and motion-sensing technology in the form of the AR250 and AR270 DockSense heading sensors. The two sensors combine to create a highly accurate GPS compass system, unaffected by magnetic interference. When outfitting a vessel, Raymarine DockSense experts will partner with your engineering team to design a DockSense Alert system that provides maximum coverage and confidence for you.



PART NO.	DESCRIPTION	RRP EX. VAT	RRP INC. VAT
DockSense			
DockSense Alert - available through Boat builders and specialist technical dealers only.			
T70486	DockSense Alert 1 Camera System	Price upon Request	
T70487	DockSense Alert 3 Camera System	Price upon Request	
T70488	DockSense Alert 5 Camera System	Price upon Request	
DockSense Control - available through Boat builders and specialist technical dealers only.			
T70489	DockSense Control 3 Camera System	Price upon Request	
T70490	DockSense Control 5 Camera System	Price upon Request	

YACHTSENSE ECOSYSTEM



The YachtSense Ecosystem enables complete onboard and offboard integration with all devices connected to the boats network.

An installed system assures captains and boat owners of the readiness of their vessel prior to, during and after their voyage. They are always connected to the boat.

Voyage preparations can begin before leaving home, and whilst onboard guests and crew can be connected to the boat.

LEVEL 1: MOBILE COMMAND

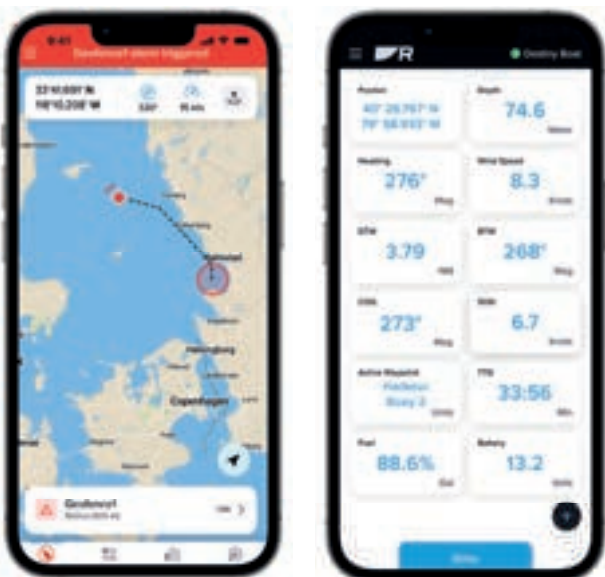
RAYMARINE APP

The Raymarine® App can operate independently of YachtSense Link and YachtSense. The app connects directly to Axiom® displays via Wi-Fi.

- Stream and control Axiom multifunction displays from anywhere onboard
- Back-up waypoints, tracks and screenshots on your mobile device

RAYMARINE APP WITH YACHTSENSE LINK

- Remotely access and control YachtSense connected devices
- Monitor your boat remotely with GeoFence and YachtSense Link
- View real time instrument and navigation data



YACHTSENSE ECOSYSTEM



LEVEL 2: OFFBOAT CONNECTIVITY

YACHTSENSE LINK

YachtSense Link is a multi-purpose marine mobile router equipped with Raynet Ethernet ports, mobile broadband connectivity, and onboard Wi-Fi. YachtSense Link allows crew and family to connect Axiom® displays, phones, tablets, and PCs to a unified onboard network. YachtSense Link automatically switches between marina Wi-Fi and mobile networks to ensure you are always connected. Combine YachtSense Link with the Raymarine mobile app for remote access to your Raymarine network and enjoy the added security of remote GeoFence vessel monitoring. YachtSense Link also features low-voltage digital switching/monitoring channels for controlling and monitoring onboard electrical devices like pumps, batteries, lighting, and more.

- Mobile broadband connection to 4G (LTE) networks (SIM card and data plan required)
- Supports dual SIM cards for seamless connectivity to international mobile networks
- 4 Raynet Ethernet ports for connecting Raymarine devices
- Integrated GPS with a range extending 4 in 1 antenna (GPS/ GNSS, 3G, 4G, and Wi-Fi)
- Low power consumption mode supports GeoFence remote monitoring (subscription required)
- SeaTalkNG/NMEA2000 port
- 4 x input and output low voltage digital switching channels
- Easy DIY setup using a web browser or Axiom display
- Rugged IPX6 enclosure is shock and vibration resistant

LEVEL 3: SMART HOME ON THE WATER

YACHTSENSE

YachtSense is Raymarine's bespoke digital control system that controls and monitors all of a vessel's electrical and electronics systems. When integrated with the Raymarine app and YachtSense Link, the YachtSense Digital Control System can be remotely accessed and controlled from anywhere there is internet access. Operate onboard equipment, monitor vessel systems, and respond to notifications right from the Raymarine app on your mobile phone or tablet.



YACHTSENSE ECOSYSTEM



LEVEL 1: COMMAND AND CONTROL

Stream and control Axiom from your phone or tablet from anywhere onboard.



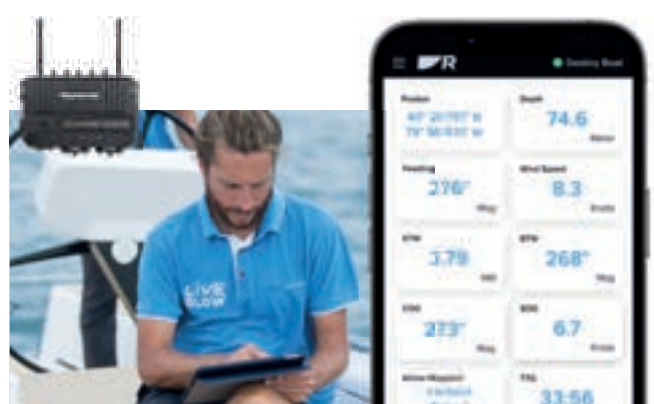
LEVEL 1: SECURE BACK UP

Critical waypoints, routes and tracks can be transferred to your mobile device.



LEVEL 2: REMOTE MONITORING

Raymarine GeoFence provides alerts and notifications if your vessel moves in or outside a safety zone.



LEVEL 2: STAY INFORMED

Connect and view real time instrument and navigation data on board or remotely.

YACHTSENSE ECOSYSTEM



LEVEL 2: REMOTE MONITORING

Monitor bilge water sensors, battery voltage, shore power, smoke alarms and more. Control is afforded with the addition of a switching relay.



LEVEL 2: ALWAYS CONNECTED

Connect Raymarine equipment, tablets, smart TVs, and other wireless devices to a unified onboard Wi-Fi network with 4G mobile broadband.

LEVEL 3: TOTAL COMMAND OF THE VESSELS ELECTRICAL SYSTEMS



PART NO.	DESCRIPTION	RRP EX. VAT	RRP INC. VAT
YachtSense Link			
YachtSense Link Router			
E70640	YachtSense Link Marine Cloud Router w/ 4X GB RayNet, Wi-Fi, 3G/4G, GNSS, Premium External Antenna w/ 5M cable and Input/Out Cable Set	£1,079.17	£1,295.00
YachtSense Link Accessories			
A80701	Premium External Multi-Antenna 5m cable	£329.17	£395.00
A80718	External Antenna Extension Collar Kit	£20.83	£25.00

YACHTSENSE



YachtSense Digital Control System

YachtSense™ is the future of vessel automation. An advanced digital control system, YachtSense gives the captain total command and complete awareness of a vessel's electrical systems. YachtSense offers the most scalable, configurable, and fail-safe marine automation system available. The system offers intuitive control of every device, from lighting, pumps, and sunshades to wipers, windlass, and bathing platforms.



SCALABLE

Unique modular system architecture gives boat builders the freedom to design and standardize on a digital control solution that can scale across an entire model range.

ENGINEERED FOR THE UNEXPECTED

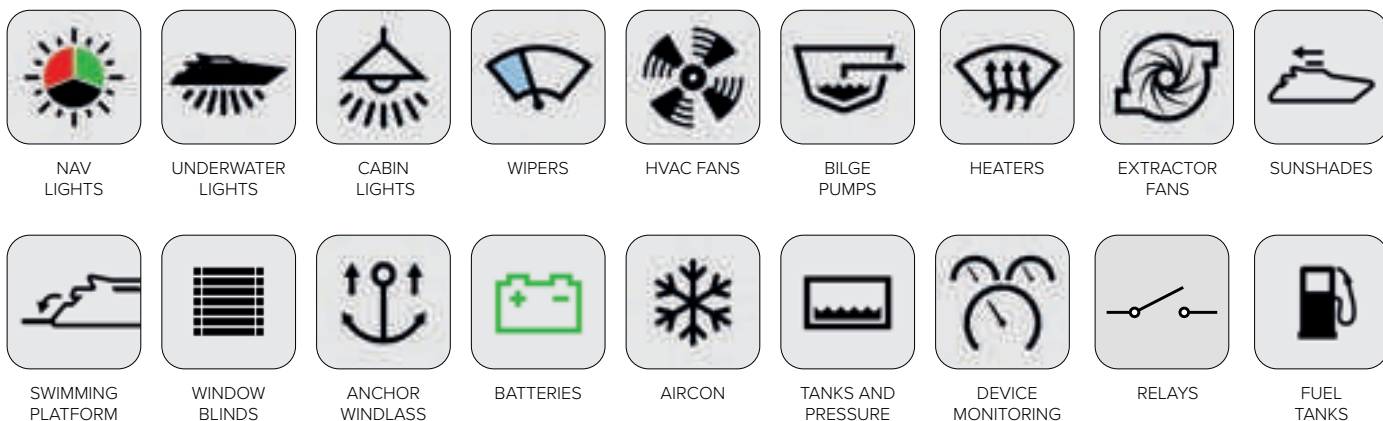
Three layers of redundancy give captains peace of mind. An integrated keypad allows for manual override while the LCD provides system diagnostics. Rugged IPX6 enclosures and backed by 3-year warranty.

YACHTSENSE



MODERN VESSEL AUTOMATION

YachtSense™ bespoke Axiom user interface options empowers boat builders to create a modern and elegant vessel automation solution. YachtSense gives captains total control from the helm or their mobile device.



PART NO.	DESCRIPTION	RRP EX. VAT	RRP INC. VAT
YachtSense			
YachtSense DIGITAL CONTROL SYSTEM			
E70592	YachtSense Master Unit (12v or 24v) with 2 x J1939, 2 x RS485, Ethernet & STNG inputs	£829.17	£995.00
E70593	YachtSense Remote Unit (12v or 24v) with up to 8 x Signal Inputs or 8 x Signal (50mA) Outputs	£745.83	£895.00
E70594	YachtSense Low Power Output Module with 4 x 10 Amp Outputs	£329.17	£395.00
E70595	YachtSense High Power Output Module with 2 x 20 Amp Outputs	£329.17	£395.00
E70596	YachtSense Reverse Power Output Module with 1 x Bi-Directional 20 Amp Output	£329.17	£395.00
E70597	YachtSense Signal Module with up to 4 x Inputs or 4 x 50mA Outputs	£329.17	£395.00
YachtSense DIGITAL SWITCHING ACCESSORIES			
A80622	50 off 14-16 AWG MX150 Crimp Terminal	£37.50	£45.00
A80623	50 off 18-22 AWG MX150 Crimp Terminal	£29.17	£35.00
A80624	Molex Blanking Pins (Pack of 50)	£12.50	£15.00

ACCESSORIES



PART NO.	DESCRIPTION	RRP EX. VAT	RRP INC. VAT
----------	-------------	----------------	-----------------

STNG Cables and Components

STNG Cables and Components			
E70010	iTC-5 Instrument Transducer Converter	£270.83	£325.00
E70361	Micro-Talk Puck - Micronet to SeataalkNG Gateway	£250.00	£300.00
T70134	STNG Starter Kit (1xA06064, 2xA06031, 1xA06040, 1xA06049)	£91.67	£110.00
A25062	STNG Backbone Kit (2 x A06031, 1 x A06037, 2 x A06036, 4 x A06028, 1 x A06049)	£237.50	£285.00
E22158	ST1 to STNG Adaptor Kit (1xR52131, 2xA06031, 2xA06032, 1xA22164, 1xA06049, 1xA06039)	£108.33	£130.00
E70196	VHF NMEA0183 TO STNG Converter Kit (1xR52131, 2xA06031, 2xA06032, 1xA06071, 1xA06049, 1xA06039)	£108.33	£130.00
T12217	Cable Kit/NMEA2000 Gateway (1X A06039, 1X A06045, 1X A06064, 1X A06049, 2X A06031)	£108.33	£130.00
R52131	ST1 to STNG Converter only	£91.67	£110.00
A06049	STNG Straight Power to bare wires cable (2m)	£20.83	£25.00
A06070	STNG Right Angle Power to bare wires cable (2m)	£20.83	£25.00
A06028	STNG T-Piece Connector	£20.83	£25.00
A06064	STNG 5 Way Connector	£33.33	£40.00
A06030	STNG Backbone Extender	£16.67	£20.00
A06031	STNG Backbone Terminator	£12.50	£15.00
A06074	STNG In-Line Terminator	£16.67	£20.00
A06032	STNG Blanking Plug	£4.17	£5.00
A80614	STNG Auxillary Alarm with 1m Spur Cable	£141.67	£170.00
A06033	Backbone Cable 400mm	£29.17	£35.00
A06034	Backbone Cable 1m	£29.17	£35.00
A06035	Backbone Cable 3m	£33.33	£40.00
A06036	Backbone Cable 5m	£41.67	£50.00
A06068	Backbone Cable 9m	£50.00	£60.00
A06037	Backbone Cable 20m	£62.50	£75.00
A06038	Spur Cable 400mm	£29.17	£35.00
A06039	Spur Cable 1m	£33.33	£40.00
A06040	Spur Cable 3m	£37.50	£45.00
A06041	Spur Cable 5m	£45.83	£55.00
A06072	Spur Cable 6m	£54.17	£65.00
A06042	STNG Elbow to Elbow Spur Cable (400mm)	£29.17	£35.00
A06080	STNG Elbow to Straight DeviceNet (Female) Cable (1m)	£33.33	£40.00
A06081	STNG Elbow to Straight Spur Cable (1m)	£33.33	£40.00
A06077	STNG Right Angle Adaptor	£16.67	£20.00
A06082	DeviceNet (Female) to STNG (Socket / Male) Straight Adaptor	£20.83	£25.00
A06083	STNG (Female) to DeviceNet (Socket / Male) Straight Adaptor	£20.83	£25.00
A06084	DeviceNet (Female) to STNG (Socket / Male) Right Angle Adaptor	£20.83	£25.00
A06079	DeviceNet (Female) to STNG Spur (Female) Adaptor Cable (120mm)	£33.33	£40.00
A06045	DeviceNet (Female) to STNG Spur (Female) Adaptor Cable (400mm)	£37.50	£45.00
A06075	DeviceNet (Female) to STNG Spur (Female) Adaptor Cable (1m)	£41.67	£50.00
A06078	DeviceNet (Male) to STNG Spur (Female) Adaptor Cable (120mm)	£16.67	£20.00
A06076	DeviceNet (Male) to STNG Spur (Female) Adaptor Cable (1m)	£41.67	£50.00

ACCESSORIES

PART NO.	DESCRIPTION	RRP EX. VAT	RRP INC. VAT
A06046	DeviceNet (Male) to STNG Spur (Female) Adaptor Cable (1.5m)	£33.33	£40.00
A80674	STNG Backbone (Female) to DeviceNet (Socket / Male) 400mm adaptor cable	£33.33	£40.00
A80675	STNG Backbone (Female) to DeviceNet (Female) 400mm adaptor cable	£33.33	£40.00
A06047	ST1 (3 Pin) to STNG Spur (Female) Adaptor Cable (400mm)	£16.67	£20.00
A06073	ST1 (3 Pin) to STNG Spur (Female) Adaptor Cable (1m)	£16.67	£20.00
A06048	ST2 (5 Pin) to STNG Spur (Female) Adaptor Cable (400mm)	£16.67	£20.00
A06043	STNG Spur (Female) to Stripped End Cable (1m)	£33.33	£40.00
A06044	STNG Spur (Female) to Stripped End Cable (3m)	£37.50	£45.00
R12112	1m STNG to SPX Moulded Cable	£58.33	£70.00

ACCESSORIES



PART NO.	DESCRIPTION	RRP EX. VAT	RRP INC. VAT
Network Cables and Components			
Network Cables and Components			
A80007	HS-5 Network Switch (Raynet)	£270.83	£325.00
A80731	RNS5 Gigabit Raynet Network Switch	£329.17	£395.00
A80732	RNS8 Gigabit Raynet Network Switch with 4 x POE ports	£829.17	£995.00
E55060	SeaTalkHS Crossover Coupler	£33.33	£40.00
4115028	Weather proof Ethernet coupler	£16.67	£20.00
A80247	RayNet to RJ45 (F) Adaptor - 100mm	£54.17	£65.00
A62360	RayNet (F) to RJ45 (M) cable - 1m	£54.17	£65.00
A80151	RayNet (F) to RJ45 (M) cable - 3m	£54.17	£65.00
A80159	RayNet (F) to RJ45 (M) cable - 10m	£95.83	£115.00
308-0251-30-00	RayNet (F) to RJ45 (M) cable - 30m	£120.83	£145.00
308-0252-30-00	RayNet Right Angle (F) to RJ45 (M) cable - 30m	£120.83	£145.00
A80161	Raynet (F) to Raynet (F) cable - 400mm	£54.17	£65.00
A62361	Raynet (F) to Raynet (F) cable - 2m	£62.50	£75.00
A80005	Raynet (F) to Raynet (F) cable - 5m	£75.00	£90.00
A62362	Raynet (F) to Raynet (F) cable - 10m	£108.33	£130.00
A80512	Raynet Right Angle (F) to Raynet Straight (F) cable - 10m	£120.83	£145.00
A80006	Raynet (F) to Raynet (F) cable - 20m	£150.00	£180.00
A80162	RayNet (M) to RayNet (M) cable - 100mm	£54.17	£65.00
A80262	RayNet (Male) Right Angle Adaptor	£29.17	£35.00
A80160	RayNet (F) to SeaTalkHS (F) adaptor - 400mm	£54.17	£65.00
A80276	RayNet (F) to STHS (M) Cable - 3m	£75.00	£90.00
A80272	RayNet Male to STHS Male water tight for DSM or legacy MFD connection to open RayNet Female cable	£54.17	£65.00
R70014	RayNet Cable Puller - 5 pk	£20.83	£25.00
ST1 CABLES AND COMPONENTS			
D244	3 Way SeaTalk1 Junction Block	£41.67	£50.00
D230	SeaTalk Extension Cable 400mm	£33.33	£40.00
D284	SeaTalk Extension Cable 1m	£41.67	£50.00
D285	SeaTalk Extension Cable 3m	£41.67	£50.00
D286	SeaTalk Extension Cable 5m	£50.00	£60.00
D287	SeaTalk Extension Cable 9m	£50.00	£60.00
E25051	SeaTalk Extension Cable 12m	£66.67	£80.00
D288	SeaTalk Extension Cable 20m	£79.17	£95.00
E55054	SeaTalk Alarm Out Cable 1.5m	£58.33	£70.00
ENGINE CONTROL INTERFACE & ACCESSORIES			
E70227	ECI-100 Universal Engine and Control Interface	£312.50	£375.00
E70240	Volvo Engine EVC Link Cable (1M)	£79.17	£95.00
E70241	Volvo Engine Y-Loom cable	£79.17	£95.00
E70242	Yamaha Command-Link Cable 1M	£79.17	£95.00
E70305	Caterpillar Engine 12 Pin Link Cable (400mm)	£79.17	£95.00
E70260	NMEA 2000 Devicenet male to Devicenet female cable (2m)	£79.17	£95.00

WARRANTY



Raymarine's Global Limited Warranty is effective for qualifying products purchased on or after 1st July 2017. Raymarine UK Ltd. and its affiliates ("RAYMARINE") warrants RAYMARINE products purchased directly from RAYMARINE, from an approved RAYMARINE dealer (visit raymarine.eu/DealerLocator to find and contact your local approved RAYMARINE dealer), or installed on a new vessel by an authorized boat builder, known as the Original Equipment Manufacturer (OEM) (the "Products"), to be free from defects in material and workmanship for;

- (i) Dragonfly Products for one (1) year ("Dragonfly Limited Warranty Period"); and
- (ii) Standard Products for two (2) years ("Standard Limited Warranty Period"); from

(a) the date the Products were first purchased; or (b) in the case of Products installed on a new vessel by an authorized OEM, the date the vessel was first delivered (the "Purchase Date") to the first retail customer (the "Original Customer").

All prior RAYMARINE warranty policies, procedures and points of contact are superseded and replaced by this RAYMARINE Global Limited Warranty.

Except for Dragonfly Products, Warranty Replacement Product, Refurbished Product and Products used for regular commercial, military, law enforcement or related purposes, by registering your new Product with RAYMARINE, you can upgrade the 2-year Standard Limited Warranty to a 3-year Extended Limited Warranty at no additional cost.

In some countries and for most Products, RAYMARINE also offers a Warranty Replacement service and On-Board Warranty. These services, when available, are designed to help minimize the down-time of Products that may require warranty repair.

Your Proof of Purchase documentation is important. Please keep it in a safe place. If you need a warranty service your proof of purchase will be required.

RAYMARINE Products are not a substitute for possessing and exercising the independent judgment and skill needed to safely and effectively operate any vessel or engage in any marine activity.



FIND A DEALER

To find your nearest Raymarine dealer, scan the QR code or enter the following URL into your internet browser
<https://www.raymarine.co.uk/en-gb/find-your-local-dealer>



CONTACT US

Scan the QR code to view our office locations, access our customer help knowledge base, contact product support or complete a general enquiry form.

Export Restrictions

The information contained in this brochure pertains to dual use products controlled for export by the Export Administration Regulations (EAR). Diversion contrary to US law is prohibited. US Department of Commerce authorization is not required prior to export or transfer to foreign persons or parties unless otherwise prohibited.

Photography:

Dufour; Jason Arnold; Adrian Gray; Ice Yachts; Joe McCarthy;
Sundeck; Matt Dickins

23-0892-MAR / 2024 / UK / v1.0

Raymarine